



Cert. n° 0545



www.eurovent-certification.com

Fan Coil Units

Carisma CRC-ECM CRT-ECM

The Fan Coil Unit with
Electronic Motor and Inverter Board

TECHNICAL GUIDE

Carisma CRC-ECM/CRT-ECM

Carisma fan coils combine a beautiful design with very interesting performances in terms of sound level and energy consumption. **Carisma ECM** models are available in five different models, for wall and ceiling installation, with casing and concealed. All Sabiana fan coils take part to the Eurovent program of fan coil performance certification.

The **ECM** range makes use of the excellent experience gained with the Cassette fan coils with inverter board, first in the world in production since 2009, and which have had great success on all markets.

The innovative brushless and sensorless type synchronous electronic motor with permanent magnets, is controlled by an **inverter** board designed and developed in Italy. The board is mounted on the unit, closed to the motor, without the need to be cooled down by the air flow.

The air flow rate can be varied in **continuous** by means of a 1-10 V signal generated by Sabiana controls or by independent control systems. The continuous air flow control improves the acoustic comfort and allows a more punctual reply to the variation of the thermal loads and a greater stability of the requested ambient temperature.

The extreme efficiency, also at low speed, makes possible a great reduction in electric consumption (less than 50% in comparison to CRC and CRT range motor) with absorption values under normal operating conditions that **do not exceed 16 Watt for CRC-ECM models and do not exceed 8 Watt for CRT-ECM models** on the entire range. The excellent values of the CRC and CRT range in terms of sound levels have been maintained **in all working conditions**, without any resonance phenomenon at any frequency.

The full compliance with the Electromagnetic Compatibility Directive and with the other severe Standards in force is certified by an independent institute.

CONTENTS

• CRC-ECM version

• Construction	Page 4
• Models	Page 5
• Dimensions, Weight, Water content	Page 6
• EUROVENT Certification	Page 10
• Operation limits	Page 13
• Emission tables	Page 14
• Correction factors table	Page 24
• Water pressure drop	Page 25

• CRT-ECM version

• Construction	Page 26
• Models	Page 27
• Dimensions, Weight, Water content	Page 28
• EUROVENT Certification	Page 32
• Operation limits	Page 34
• Emission tables	Page 35
• Water pressure drop	Page 43

• CRC-ECM/CRT-ECM version

• Accessories	Page 45
• CRYSTALL electrostatic filter	Page 66
• ECM configuration	Page 67
• Electronic controls to be fitted	Page 68
• Wall electronic controls	Page 69
• Controls and units MB version	Page 70
• KNX bus system	Page 72



Sabiana take part to the Eurovent program of fan coil performance certification. The official figures are published in the web site www.eurovent-certification.com. The tested performances are:

- | | |
|--|--|
| • Cooling total emission at the following conditions: | • Cooling sensible emission at the following conditions: |
| - Water temperature +7°C E.W.T. +12°C L.W.T. | - Water temperature +7°C E.W.T. +12°C L.W.T. |
| - Entering air temperature +27°C dry bulb +19°C wet bulb | - Entering air temperature +27°C dry bulb +19°C wet bulb |
| • Heating emission (2 pipe units) at the following conditions: | • Heating emission (4 pipe units) at the following conditions: |
| - Water temperature +45°C E.W.T. +40°C L.W.T. | - Water temperature +65°C E.W.T. +55°C L.W.T. |
| - Entering air temperature +20°C | - Entering air temperature +20°C |

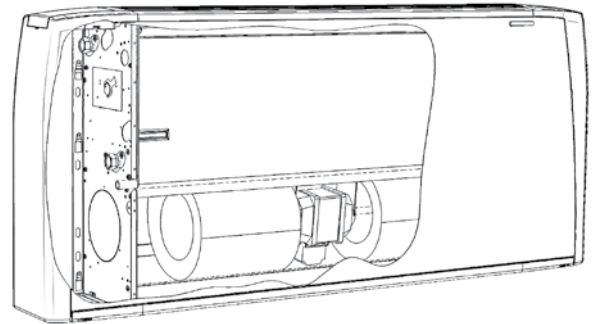
• Fan absorption

• Water pressure drop

• Sound power

CRC-ECM version with centrifugal fan

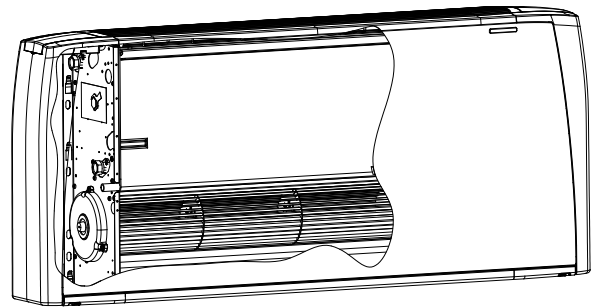
Range includes 5 air flow rates (from 115 to 1395 m³/h) and 5 models (for wall and ceiling installation, with casing and concealed), each equipped with 3 or 4 row coil and with the possibility to add a 1 or 2 row coil for 4 pipe systems. This is the series with the lowest electrical consumption in relation to both heat performance as well as working static performance and is particularly suited to satisfying the strictest energy consumption needs of class A buildings, and to ensuring excellent acoustic comfort.



Page 4

CRT-ECM version with tangential fan

Range includes 5 air flow rates (from 95 to 900 m³/h) and 5 models (for wall and ceiling installation, with casing and concealed), each equipped with 3 row coil and with the possibility to add a 1 row coil for 4 pipe systems. It is the most comprehensive range, perfect to meet all air-conditioning requirements of work environments like offices, shops, restaurants and hotel rooms.



Page 26

CRC-ECM and CRT-ECM version

Plastic outlet grid in one single piece: extraordinary design and strength



Outer casing

Made of strong synthetic lateral corners and from galvanized and prepainted front steel panel. The plastic top grid has fixed louvres and is reversible in order to distribute the air in two different directions.

Standard colours:

- Lateral corners and top grid: **Pantone Cool Grey 1C (light grey)**
- Frontal panel: **RAL 9003 (white)**
- Other colours on request.

Inner casing

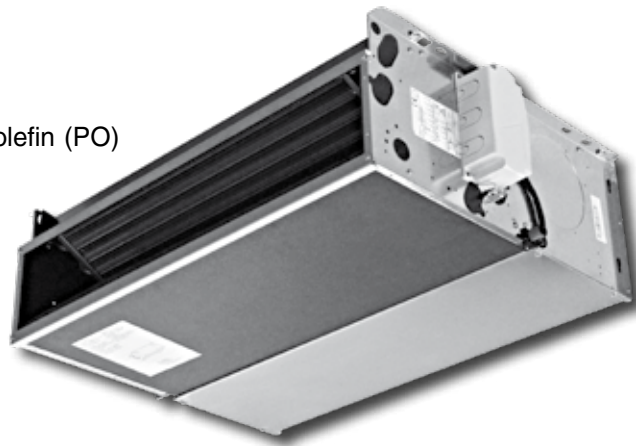
Made from 1 mm galvanized steel insulated with 3 mm polyolefin (PO) foam (class M1).

Filter

Polypropylene cellular fabric regenerating filter.

The filter frame of galvanized steel is inserted into special plastic sliding guides fastened to the internal structure for easy insertion and removal of the filter.

Filter presence is highlighted by a plastic front cover featuring the same colour as the top grid.



Fan assembly

The fans have aluminium or plastic blades directly keyed on the motor with double aspiration and they are dynamically and statically balanced during manufacture in order to have an extremely quiet operation.

Electronic motor

Three phase permanent magnet brushless electronic motor that is controlled with reconstructed current according to a BLAC sinusoidal wave. The inverter board that controls the motor operation is powered by 230 Volt, single-phase and, with a switching system, it generates a three-phase frequency modulated, wave form power supply. The electric power supply required for the machine is therefore single-phase with voltage of 230-240V and frequency of 50-60Hz.

Coil

It is manufactured from drawn copper tube and the aluminium fins are mechanically bonded onto the tube by an expansion process. The coil has two 1/2 inch BSP internal connections and 1/8 inch BSP air vent and drain. The coil is not suitable for use in corrosive atmosphere or in environments where aluminium may be subject to corrosion.

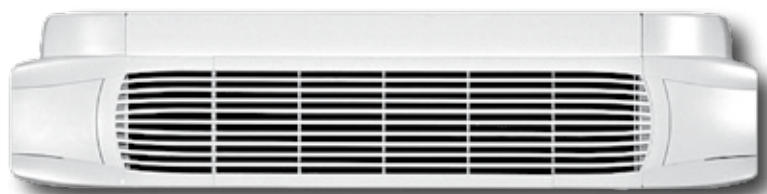
The connections are on the left side facing the unit. On request we can deliver the unit with the connections on the right end side. This operation can also be easily carried out on site during installation.

Condensate collection tray

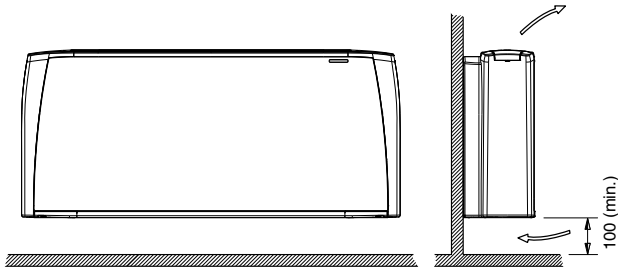
Made from plastic (ABS UL94 HB) with an "L"-shaped plastic fitted on the inner casing; in the MO-MVB and IV-IO model the tray is insulated with 3 mm polyolefin (PO) foam (class M1). The outside diameter of the condensate discharge pipe is 15mm.

Accessories and Controls

See pages 45 - 68.

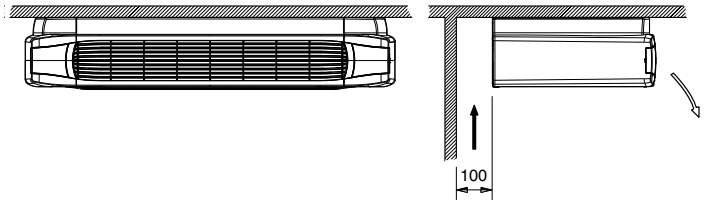


MV
Vertical Casing – Wall Installation

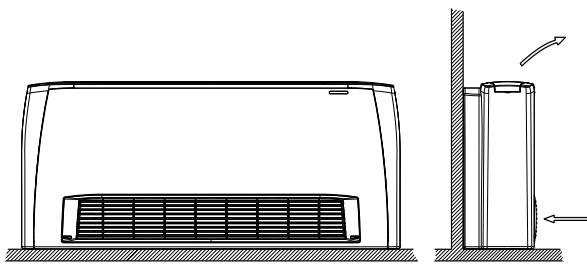


MV
Vertical Casing – Ceiling Installation

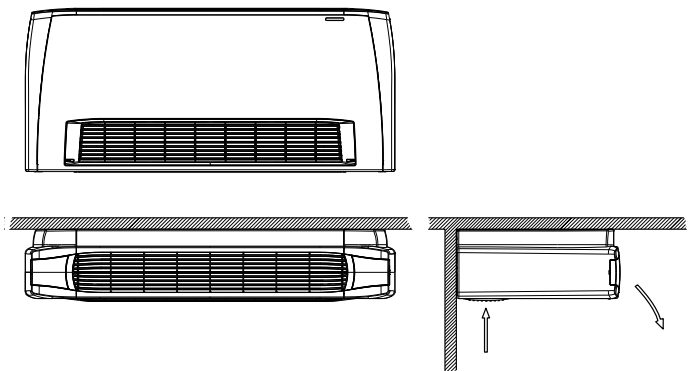
NOTE: the MV model can also be installed horizontally leaving behind a 100 mm gap for air intake.



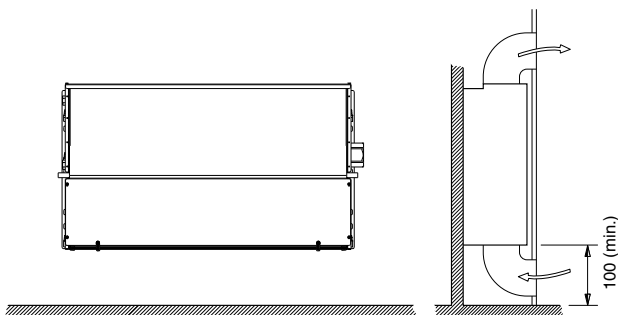
MO-MVB
Vertical Casing – Floor Installation



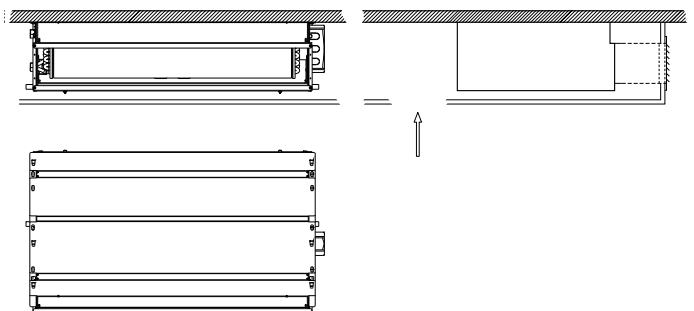
MO-MVB
Horizontal Casing



IV-IO
Vertical Concealed

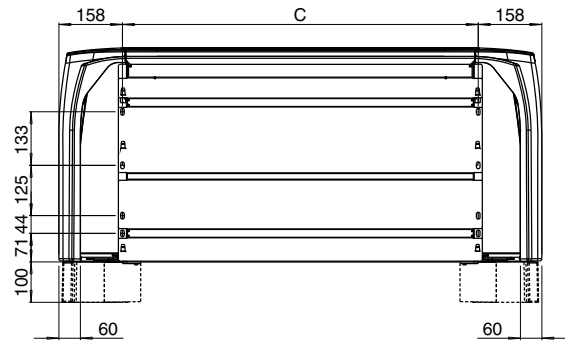
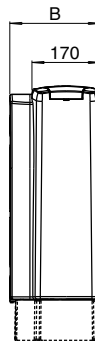
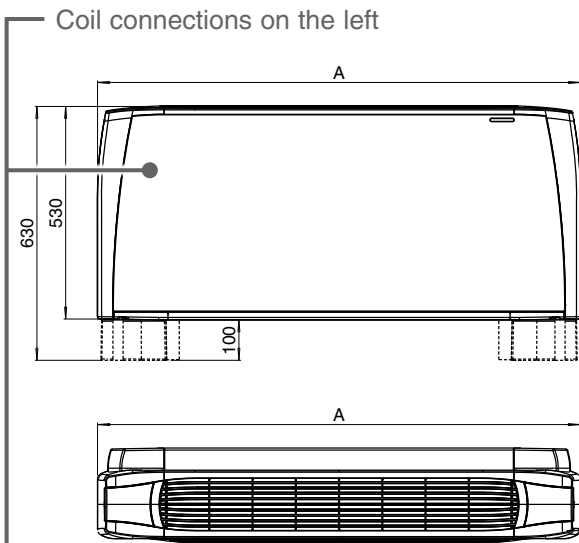


IV-IO
Horizontal Concealed



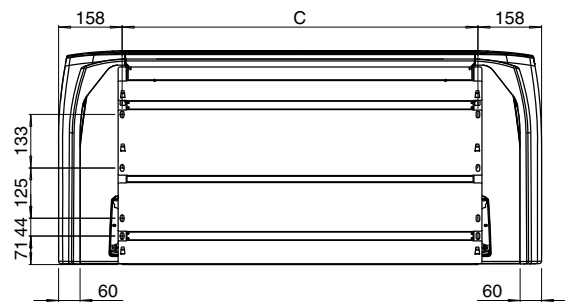
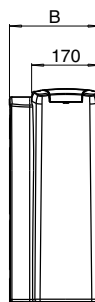
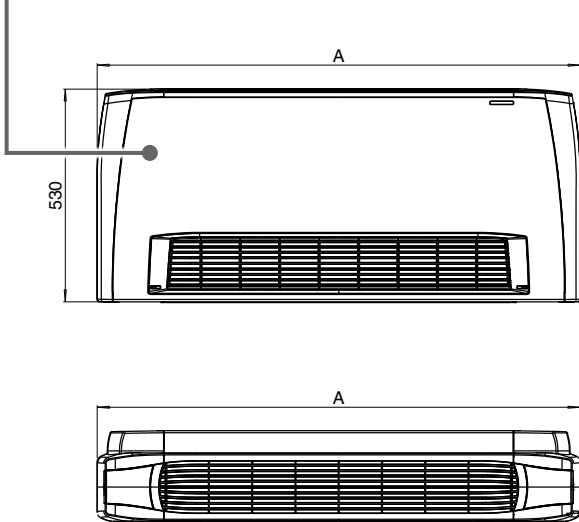


MV



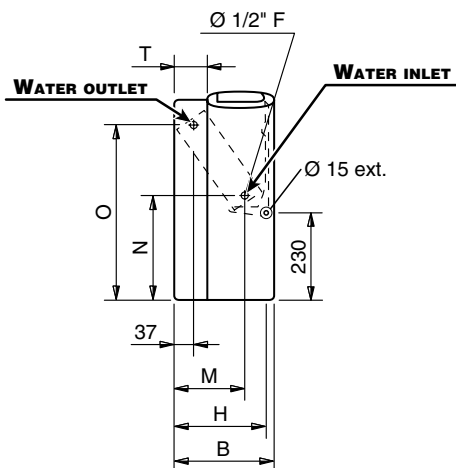
Feet (optional)

MO-MVB

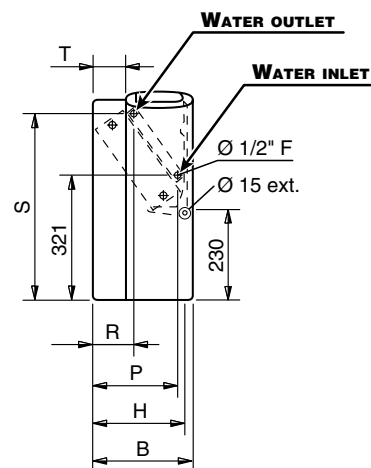


COIL CONNECTIONS

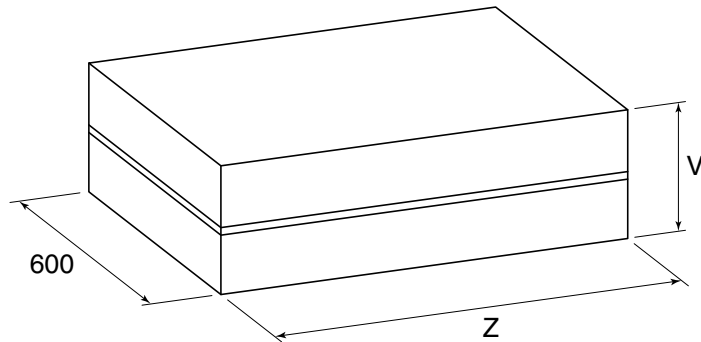
3 or 4 row coils



Heating additional coil (1 or 2 rows)



PACKAGING



Dimension (mm)

MODEL	2	4	6	7	9
A	770	985	1200	1415	1415
B	225	225	225	225	255
C	454	669	884	1099	1099
H	205	205	205	205	235
M	145	145	145	145	170
N	260	260	260	260	270
O	460	460	460	460	450
P	185	185	185	185	210
R	105	105	105	105	110
S	475	475	475	475	465
T	55	55	55	55	85
V	260	260	260	260	290
Z	820	1035	1250	1465	1465

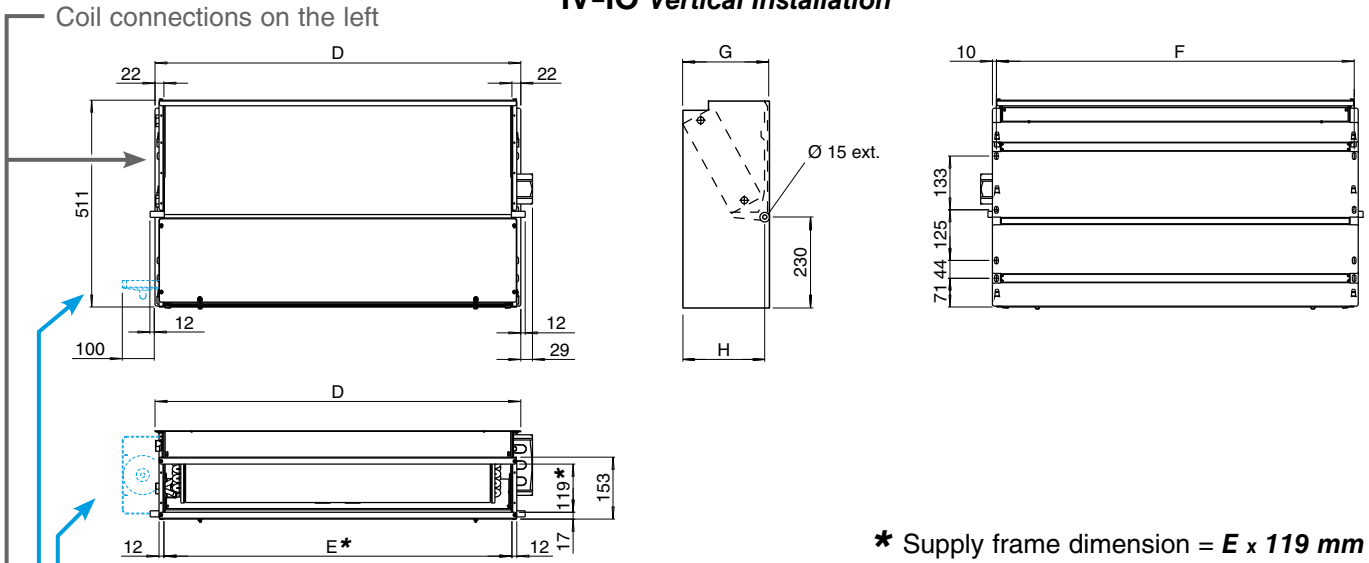
Weight (kg)

		Weight with packaging					Weight without packaging				
MODEL		2	4	6	7	9	2	4	6	7	9
Rows	3	17,2	22,5	27,7	32,1	35,9	15,4	20,2	24,9	28,8	32,2
	3+1	18,0	23,7	29,2	33,9	37,7	16,2	21,4	26,4	30,6	34,0
	3+2	18,6	24,4	30,1	35,0	38,8	16,8	22,1	27,3	31,7	35,1
	4	18,0	23,5	29,0	33,6	37,4	16,2	21,2	26,2	30,3	33,7
	4+1	18,8	24,7	30,5	35,4	39,2	17,0	22,4	27,7	32,1	35,5

Water content (litres)

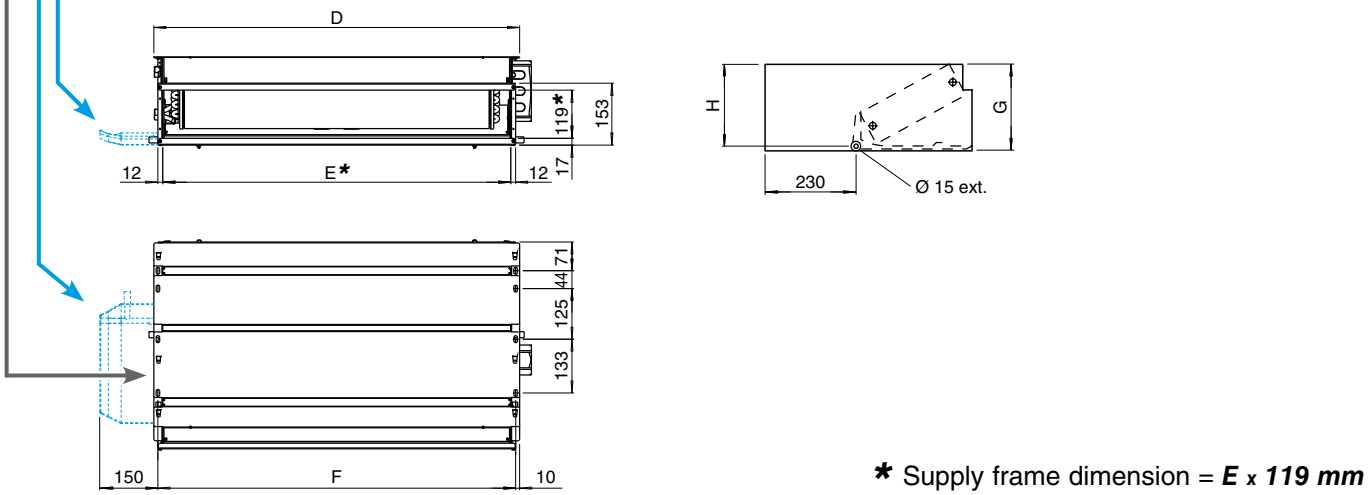
MODEL	2	4	6	7	9
3	0,6	0,9	1,6	1,7	1,9
4	0,8	1,3	2,2	2,4	2,8
+1	0,2	0,3	0,5	0,5	0,6
+2	0,4	0,6	1,0	1,0	1,2

IV-IO Vertical Installation



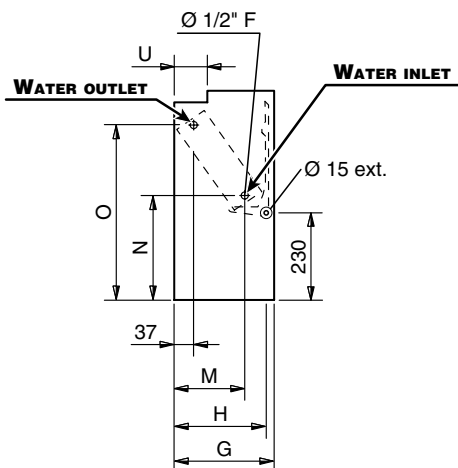
Auxiliary condensate tray (optional)

IV-IO Horizontal Installation

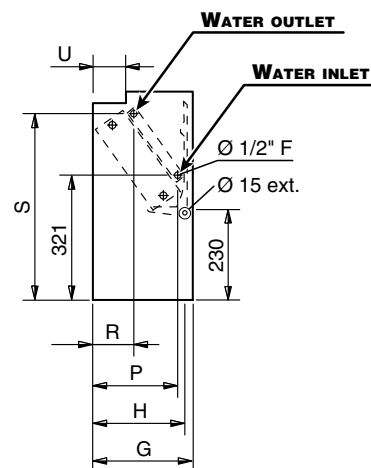


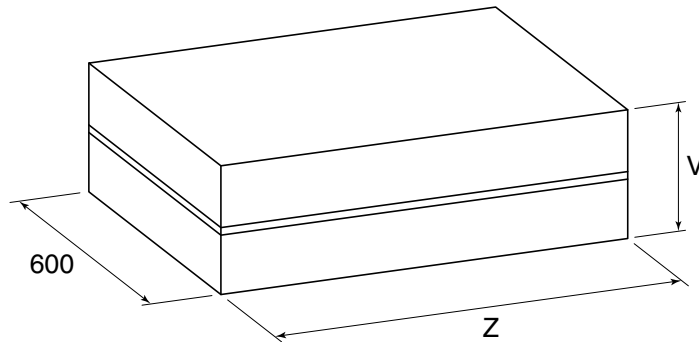
COIL CONNECTIONS

3 or 4 row coils



Heating additional coil (1 or 2 rows)



PACKAGING

Dimension (mm)

MODEL	2	4	6	7	9
D	474	689	904	1119	1119
E	430	645	860	1075	1075
F	454	669	884	1099	1099
G	218	218	218	218	248
H	205	205	205	205	235
M	145	145	145	145	170
N	260	260	260	260	270
O	460	460	460	460	450
P	185	185	185	185	210
R	105	105	105	105	110
S	475	475	475	475	465
U	65	65	65	65	95
X	260	260	260	260	290
Y	820	820	1035	1250	1250

Weight (kg)

		Weight with packaging					Weight without packaging				
MODEL		2	4	6	7	9	2	4	6	7	9
Rows	3	13,6	18,1	22,8	27,0	30,4	11,8	16,3	20,5	24,2	27,3
	3+1	14,4	19,3	24,3	28,8	32,2	12,6	17,5	22,0	26,0	29,1
	3+2	15,0	20,0	25,2	29,9	33,3	13,2	18,2	22,9	27,1	30,2
	4	14,4	19,1	24,1	28,5	31,9	12,6	17,3	21,8	25,7	28,8
	4+1	15,2	20,3	25,6	30,3	33,7	13,4	18,5	23,3	27,5	30,6

Water content (litres)

MODEL	2	4	6	7	9	
Rows	3	0,6	0,9	1,6	1,7	1,9
	4	0,8	1,3	2,2	2,4	2,8
	+1	0,2	0,3	0,5	0,5	0,6
	+2	0,4	0,6	1,0	1,0	1,2

CRC-ECM UNITS WITH 3 ROW COIL

2 pipe units.

The following standard rating conditions are used:

COOLING

Entering air temperature +27°C d.b. +19°C w.b.
 Water temperature +7°C E.W.T. +12°C L.W.T.

HEATING

Entering air temperature +20°C
 Water temperature +45°C E.W.T. +40°C L.W.T.

MODEL	CRC-ECM 23					CRC-ECM 43					CRC-ECM 63					
	1 (E)	3	5 (E)	7,5	10 (E)	1 (E)	3	5 (E)	7,5	10 (E)	1 (E)	3	5 (E)	7,5	10 (E)	
Inverter power																
Speed	MIN		MED		MAX	MIN		MED		MAX	MIN		MED		MAX	
Air flow	m ³ /h	120	170	220	270	330	210	280	350	430	515	305	395	495	610	735
Cooling total emission (E)	kW	0,73	0,97	1,18	1,37	1,59	1,41	1,80	2,18	2,57	2,95	1,96	2,44	2,93	3,44	3,96
Cooling sensible emission (E)	kW	0,55	0,74	0,92	1,09	1,28	1,03	1,33	1,64	1,95	2,26	1,46	1,83	2,22	2,64	3,08
Heating (E)	kW	0,77	1,04	1,29	1,52	1,80	1,42	1,84	2,26	2,69	3,14	1,96	2,46	3,00	3,55	4,14
Dp Cooling (E)	kPa	2,2	3,6	5,1	6,7	8,6	7,9	12,0	17,0	22,6	28,9	5,5	8,0	11,1	14,8	19,0
Dp Heating (E)	kPa	1,6	2,7	3,9	5,2	7,0	6,6	10,4	14,9	20,4	26,7	4,5	6,8	9,6	12,9	17,0
Fan (E)	W	7,0	9,0	11,0	15,0	21,0	6,0	9,0	12,0	17,0	25,0	7,0	10,0	15,0	22,0	32,0
Sound power (E)	Lw dB(A)	30	36	41	47	51	30	36	42	47	51	33	38	44	49	54
Sound pressure (*)	Lp dB(A)	21	27	32	38	42	21	27	33	38	42	24	29	35	40	45

MODEL	CRC-ECM 73					CRC-ECM 93					
	1 (E)	3	5 (E)	7,5	10 (E)	1 (E)	3	5 (E)	7,5	10 (E)	
Inverter power											
Speed	MIN		MED		MAX	MIN		MED		MAX	
Air flow	m ³ /h	400	500	610	755	890	605	785	945	1175	1395
Cooling total emission (E)	kW	2,60	3,13	3,68	4,36	4,94	3,45	4,22	4,82	5,60	6,26
Cooling sensible emission (E)	kW	1,92	2,33	2,77	3,32	3,80	2,63	3,28	3,79	4,49	5,10
Heating (E)	kW	2,56	3,13	3,72	4,43	5,08	3,74	4,65	5,41	6,46	7,38
Dp Cooling (E)	kPa	10,5	14,5	19,4	26,1	32,6	8,9	12,7	16,1	21,1	25,9
Dp Heating (E)	kPa	8,5	12,1	16,4	22,2	28,3	7,3	10,7	14,0	19,1	24,2
Fan (E)	W	9,0	13,0	18,5	28,5	41,0	16,0	25,0	41,0	65,0	99,0
Sound power (E)	Lw dB(A)	37	43	48	53	57	44	50	55	60	64
Sound pressure (*)	Lp dB(A)	28	34	39	44	48	35	41	46	51	55

(E) = Eurovent certified performance.

(*) = The sound pressure levels are 9 dB(A) lower than the sound power levels and apply to the reverberant field of a 100 m³ room and a reverberation time of 0.5 sec.

CRC-ECM UNITS WITH 4 ROW COIL

2 pipe units.

The following standard rating conditions are used:

COOLING

Entering air temperature +27°C d.b. +19°C w.b.
 Water temperature +7°C E.W.T. +12°C L.W.T.

HEATING

Entering air temperature +20°C
 Water temperature +45°C E.W.T. +40°C L.W.T.

MODEL		CRC-ECM 24					CRC-ECM 44					CRC-ECM 64				
		1 (E)	3	5 (E)	7,5	10 (E)	1 (E)	3	5 (E)	7,5	10 (E)	1 (E)	3	5 (E)	7,5	10 (E)
Speed		MIN		MED		MAX	MIN		MED		MAX	MIN		MED		MAX
Air flow	m ³ /h	115	160	210	260	325	200	265	340	415	505	290	375	475	590	720
Cooling total emission (E)	kW	0,77	1,06	1,32	1,57	1,86	1,43	1,83	2,27	2,71	3,17	2,05	2,59	3,19	3,84	4,51
Cooling sensible emission (E)	kW	0,56	0,78	0,98	1,19	1,42	1,03	1,34	1,67	2,02	2,39	1,48	1,89	2,34	2,84	3,38
Heating (E)	kW	0,78	1,08	1,37	1,65	1,98	1,42	1,83	2,30	2,77	3,32	2,02	2,59	3,23	3,93	4,68
Dp Cooling (E)	kPa	3,2	5,5	8,0	11,0	14,8	4,0	6,1	8,9	12,3	16,1	8,2	12,4	17,8	24,8	33,0
Dp Heating (E)	kPa	2,6	4,7	7,1	9,9	13,6	3,1	4,9	7,3	10,2	13,7	6,6	10,3	15,1	21,4	29,1
Fan (E)	W	7,0	8,8	11,0	14,6	21,0	6,0	9,0	12,0	17,0	25,0	7,0	10,0	15,0	22,0	32,0
Sound power (E)	Lw dB(A)	30	36	41	47	51	30	36	42	47	51	33	38	44	49	54
Sound pressure (*)	Lp dB(A)	21	27	32	38	42	21	27	33	38	42	24	29	35	40	45

MODEL		CRC-ECM 74					CRC-ECM 94				
		1 (E)	3	5 (E)	7,5	10 (E)	1 (E)	3	5 (E)	7,5	10 (E)
Speed		MIN		MED		MAX	MIN		MED		MAX
Air flow	m ³ /h	380	475	585	735	875	575	755	910	1145	1365
Cooling total emission (E)	kW	2,61	3,20	3,82	4,61	5,30	3,59	4,49	5,21	6,18	7,04
Cooling sensible emission (E)	kW	1,90	2,34	2,82	3,44	3,99	2,69	3,40	3,99	4,81	5,53
Heating (E)	kW	2,57	3,17	3,84	4,66	5,43	3,76	4,81	5,63	6,84	7,93
Dp Cooling (E)	kPa	7,3	10,5	14,3	20,0	25,6	6,3	9,3	12,1	16,4	20,8
Dp Heating (E)	kPa	5,9	8,6	12,0	16,9	22,0	5,6	8,7	11,4	16,1	20,9
Fan (E)	W	9,0	13,0	18,5	28,5	41,0	16,0	25,0	41,0	65,0	99,0
Sound power (E)	Lw dB(A)	37	43	48	53	57	44	50	55	60	64
Sound pressure (*)	Lp dB(A)	28	34	39	44	48	35	41	46	51	55

(E) = Eurovent certified performance.

(*) = The sound pressure levels are 9 dB(A) lower than the sound power levels and apply to the reverberant field of a 100 m³ room and a reverberation time of 0.5 sec.



CRC-ECM UNITS WITH 1 ROW ADDITIONAL COIL

4 pipe units.

The following standard rating conditions are used:

COOLING

Entering air temperature +27°C d.b. +19°C w.b.
 Water temperature +7°C E.W.T. +12°C L.W.T.

HEATING

Entering air temperature +20°C
 Water temperature +65°C E.W.T. +55°C L.W.T.

MODEL	CRC-ECM 23+1					CRC-ECM 43+1					CRC-ECM 63+1					
	1 (E)	3	5 (E)	7,5	10 (E)	1 (E)	3	5 (E)	7,5	10 (E)	1 (E)	3	5 (E)	7,5	10 (E)	
Speed	MIN		MED		MAX	MIN		MED		MAX	MIN		MED		MAX	
Air flow	m ³ /h	120	170	220	270	330	210	280	350	430	515	305	395	495	610	735
Cooling total emission (E)	kW	0,73	0,97	1,18	1,37	1,59	1,41	1,80	2,18	2,57	2,95	1,96	2,44	2,93	3,44	3,96
Cooling sensible emission (E)	kW	0,55	0,74	0,92	1,09	1,28	1,03	1,33	1,64	1,95	2,26	1,46	1,83	2,22	2,64	3,08
Heating (E)	kW	0,71	0,91	1,08	1,24	1,43	1,29	1,57	1,85	2,13	2,41	1,76	2,10	2,45	2,83	3,22
Dp Cooling (E)	kPa	2,3	3,8	5,4	7,2	9,4	7,3	11,5	16,0	21,6	28,1	6,4	9,6	13,2	17,7	23,3
Dp Heating (E)	kPa	1,0	1,6	2,1	2,7	3,5	3,6	5,2	6,9	8,8	11,0	1,2	1,7	2,2	2,9	3,6
Fan (E)	W	7,0	9,0	11,0	14,5	21,0	6,0	9,0	12,0	17,0	25,0	7,0	10,0	15,0	22,0	32,0
Sound power (E)	Lw dB(A)	30	36	41	47	51	30	36	42	47	51	33	38	44	49	54
Sound pressure (*)	Lp dB(A)	21	27	32	38	42	21	27	33	38	42	24	29	35	40	45

MODEL	CRC-ECM 73+1					CRC-ECM 93+1					
	1 (E)	3	5 (E)	7,5	10 (E)	1 (E)	3	5 (E)	7,5	10 (E)	
Speed	MIN		MED		MAX	MIN		MED		MAX	
Air flow	m ³ /h	400	500	610	755	890	605	785	945	1175	1395
Cooling total emission (E)	kW	2,60	3,13	3,68	4,36	4,94	3,45	4,22	4,82	5,60	6,26
Cooling sensible emission (E)	kW	1,92	2,33	2,77	3,32	3,80	2,63	3,28	3,79	4,49	5,10
Heating (E)	kW	2,33	2,72	3,12	3,63	4,06	2,99	3,58	4,05	4,69	5,24
Dp Cooling (E)	kPa	9,7	13,8	18,4	24,8	31,8	8,9	12,7	16,1	21,1	25,9
Dp Heating (E)	kPa	2,4	3,1	4,0	5,2	6,3	3,7	5,1	6,3	8,2	9,9
Fan (E)	W	9,0	13,0	18,5	28,5	41,0	16,0	25,0	41,0	65,0	99,0
Sound power (E)	Lw dB(A)	37	43	48	53	57	44	50	55	60	64
Sound pressure (*)	Lp dB(A)	28	34	39	44	48	35	41	46	51	55

(E) = Eurovent certified performance.

(*) = The sound pressure levels are 9 dB(A) lower than the sound power levels and apply to the reverberant field of a 100 m³ room and a reverberation time of 0.5 sec.

Highest water inlet temperature..... + 85 °C

Lowest water inlet temperature..... + 6 °C

for entering water temperatures below + 6 °C, contact “SABIANA” technical department

Highest working pressure..... 1000 kPa (10 bars)

Note: For MO model the maximum installation height is 2,8 m.

On heating it must be paid attention to rooms where the floor temperature is particularly low (for example less than 6 °C).

In this situation the floor can cool the lower layer of air to a level that can stop the uniform diffusion of the hot air coming from the unit.

Water flow limits for 3 row coil (l/h)

MODEL	CRC-ECM 23	CRC-ECM 43	CRC-ECM 63	CRC-ECM 73	CRC-ECM 93
Lowest	100	100	150	150	200
Highest	500	750	1000	1500	2000

Water flow limits for 4 row coil (l/h)

MODEL	CRC-ECM 24	CRC-ECM 44	CRC-ECM 64	CRC-ECM 74	CRC-ECM 94
Lowest	100	150	150	200	300
Highest	750	1000	1500	2000	2250

Water flow limits for 1 row additional coil (l/h)

MODEL	CRC-ECM 2	CRC-ECM 4	CRC-ECM 6	CRC-ECM 7	CRC-ECM 9
Lowest	50	50	100	100	100
Highest	250	350	500	650	750

Water flow limits for 2 row additional coil (l/h)

MODEL	CRC-ECM 2	CRC-ECM 4	CRC-ECM 6	CRC-ECM 7	CRC-ECM 9
Lowest	50	100	100	100	100
Highest	250	350	500	650	750

Motor electrical data (max. absorption)

MODEL		CRC-ECM 2	CRC-ECM 4	CRC-ECM 6	CRC-ECM 7	CRC-ECM 9
230/1 50Hz	W	21,0	25,0	32,0	41,0	99,0
	A	0,18	0,22	0,28	0,34	0,81

Cooling emission of 3 row coil

Entering air temperature: 27°C – R.H.: 50%

MODEL ECM	Vdc	WT: 7/12 °C					WT: 8/13 °C				WT: 10/15 °C				WT: 12/17 °C			
		Qv	Pc	Ps	Qw	Dp(c)	Pc	Ps	Qw	Dp(c)	Pc	Ps	Qw	Dp(c)	Pc	Ps	Qw	Dp(c)
		m ³ /h	kW	kW	l/h	kPa	kW	kW	l/h	kPa	kW	kW	l/h	kPa	kW	kW	l/h	kPa
CRC 23	10	330	1,72	1,27	299	7,9	1,53	1,19	266	6,4	1,12	1,04	196	3,7	0,90	0,90	159	2,5
	7,5	270	1,49	1,08	258	6,1	1,32	1,02	230	4,9	0,98	0,88	171	2,9	0,77	0,77	135	1,9
	5	220	1,27	0,91	220	4,6	1,13	0,86	196	3,7	0,84	0,74	147	2,2	0,66	0,66	115	1,4
	3	170	1,04	0,74	181	3,3	0,93	0,69	162	2,7	0,70	0,60	121	1,6	0,53	0,53	93	1,0
	1	120	0,79	0,55	137	2,0	0,71	0,52	123	1,6	0,53	0,45	93	1,0	0,39	0,39	69	0,6
CRC 43	10	515	3,17	2,25	550	32,9	2,84	2,11	493	27,0	2,14	1,84	373	16,3	1,62	1,62	283	9,9
	7,5	430	2,76	1,94	478	25,8	2,48	1,82	429	21,2	1,88	1,59	326	12,8	1,40	1,40	243	7,6
	5	350	2,35	1,63	406	19,3	2,11	1,53	365	15,9	1,60	1,33	278	9,7	1,18	1,18	204	5,6
	3	280	1,93	1,33	334	13,7	1,74	1,25	300	11,3	1,33	1,08	229	6,9	0,96	0,96	167	3,9
	1	210	1,52	1,03	262	8,9	1,37	0,97	236	7,4	1,05	0,84	181	4,6	0,74	0,74	129	2,5
CRC 63	10	735	4,26	3,07	738	21,6	3,81	2,89	661	17,6	2,86	2,52	498	10,6	2,21	2,21	386	6,7
	7,5	610	3,70	2,63	641	16,8	3,32	2,48	574	13,8	2,50	2,16	434	8,3	1,90	1,90	331	5,1
	5	495	3,15	2,21	544	12,6	2,82	2,08	488	10,3	2,14	1,81	370	6,3	1,59	1,59	277	3,7
	3	395	2,62	1,83	453	9,1	2,36	1,71	407	7,5	1,79	1,49	310	4,6	1,32	1,32	229	2,7
	1	305	2,12	1,46	365	6,3	1,90	1,37	329	5,2	1,45	1,19	251	3,2	1,05	1,05	182	1,8
CRC 73	10	890	5,31	3,79	921	37,1	4,04	3,56	702	30,4	3,60	3,11	627	18,5	2,74	2,74	478	11,3
	7,5	755	4,69	3,31	812	29,7	4,21	3,11	729	24,4	3,20	2,71	555	14,9	2,39	2,39	416	8,8
	5	610	3,96	2,76	684	22,0	3,56	2,60	615	18,1	2,71	2,26	470	11,1	1,99	1,99	346	6,4
	3	500	3,37	2,33	581	16,5	3,03	2,19	523	13,6	2,32	1,90	400	8,4	1,69	1,69	292	4,8
	1	400	2,79	1,92	482	11,9	2,52	1,80	434	9,8	1,93	1,57	333	6,1	1,38	1,38	240	3,4
CRC 93	10	1395	6,76	5,06	1180	30,3	6,01	4,76	1051	24,7	4,43	4,17	780	14,6	3,63	3,63	642	10,4
	7,5	1175	6,05	4,46	1051	24,7	5,39	4,20	938	20,2	3,99	3,67	698	12,0	3,21	3,21	563	8,2
	5	945	5,19	3,77	900	18,8	4,64	3,55	804	15,4	3,46	3,10	602	9,3	2,71	2,71	474	6,1
	3	785	4,55	3,27	787	14,8	4,07	3,07	704	12,2	3,05	2,68	529	7,4	2,35	2,35	409	4,6
	1	605	3,72	2,63	642	10,4	3,33	2,47	575	8,6	2,51	2,15	434	5,2	1,90	1,90	330	3,1

LEGEND

- WT = Water temperature
- Pc = Cooling total emission
- Ps = Cooling sensible emission
- Qw = Water flow
- Dp(c) = Water pressure drop
- Vdc = Inverter Power
- Qv = Air flow

Cooling emission of 3 row coil

Entering air temperature: 26°C – R.H.: 50%

MODEL ECM	Vdc	WT: 7/12 °C					WT: 8/13 °C					WT: 10/15 °C					WT: 12/17 °C				
		Qv m ³ /h	Pc kW	Ps kW	Qw l/h	Dp(c) kPa	Pc kW	Ps kW	Qw l/h	Dp(c) kPa	Pc kW	Ps kW	Qw l/h	Dp(c) kPa	Pc kW	Ps kW	Qw l/h	Dp(c) kPa			
CRC 23	10	330	1,52	1,19	265	6,4	1,33	1,12	232	5,0	0,99	0,99	173	3,0	0,82	0,82	145	2,1			
	7,5	270	1,32	1,02	229	4,9	1,15	0,95	201	3,9	0,84	0,84	147	2,2	0,70	0,70	123	1,6			
	5	220	1,13	0,86	195	3,7	0,99	0,80	172	3,0	0,69	0,69	121	1,6	0,60	0,60	105	1,2			
	3	170	0,93	0,70	161	2,7	0,82	0,65	142	2,1	0,57	0,56	100	1,1	0,48	0,48	85	0,8			
	1	120	0,70	0,52	122	1,6	0,62	0,48	108	1,3	0,44	0,41	77	0,7	0,36	0,36	63	0,5			
CRC 43	10	515	2,82	2,12	490	26,9	2,49	1,98	433	21,5	1,78	1,70	311	11,8	1,48	1,48	259	8,5			
	7,5	430	2,46	1,83	426	21,1	2,18	1,71	377	16,9	1,57	1,47	272	9,4	1,28	1,28	223	6,5			
	5	350	2,10	1,54	362	15,8	1,86	1,44	323	12,7	1,34	1,24	233	7,1	1,08	1,08	187	4,8			
	3	280	1,73	1,25	298	11,2	1,53	1,17	265	9,0	1,11	1,01	193	5,1	0,88	0,88	153	3,3			
	1	210	1,36	0,97	234	7,3	1,20	0,91	208	5,9	0,88	0,78	153	3,4	0,68	0,68	118	2,1			
CRC 63	10	735	3,79	2,89	658	17,6	3,34	2,71	580	14,0	2,37	2,33	413	7,6	2,02	2,02	353	5,7			
	7,5	610	3,30	2,48	571	13,7	2,91	2,32	504	11,0	2,08	2,00	361	6,0	1,74	1,74	302	4,3			
	5	495	2,81	2,08	485	10,3	2,48	1,95	429	8,2	1,78	1,68	309	4,6	1,46	1,46	253	3,2			
	3	395	2,34	1,72	404	7,5	2,07	1,61	358	6,0	1,50	1,38	260	3,4	1,21	1,21	209	2,3			
	1	305	1,89	1,37	326	5,1	1,68	1,28	289	4,1	1,22	1,10	211	2,3	0,96	0,96	167	1,5			
CRC 73	10	890	4,74	3,57	822	30,4	4,19	3,34	727	24,3	3,00	2,88	523	13,4	2,50	2,50	437	9,7			
	7,5	755	4,19	3,12	725	24,3	3,70	2,92	642	19,5	2,67	2,51	464	10,9	2,18	2,18	381	7,6			
	5	610	3,54	2,60	611	18,0	3,13	2,53	542	14,5	2,27	2,10	394	8,2	1,82	1,82	317	5,5			
	3	500	3,01	2,19	520	13,6	2,67	2,05	462	10,9	1,95	1,77	337	6,2	1,54	1,54	268	4,1			
	1	400	2,50	1,80	431	9,8	2,22	1,69	383	7,9	1,63	1,45	281	4,5	1,27	1,27	220	2,9			
CRC 93	10	1395	6,00	4,77	1048	24,5	5,25	4,47	920	19,5	3,96	3,96	699	12,0	3,30	3,30	585	8,8			
	7,5	1175	5,37	4,21	934	20,0	4,71	3,94	821	16,0	3,50	3,50	613	9,6	2,92	2,92	513	7,0			
	5	945	4,61	3,56	801	15,3	4,06	3,33	705	12,2	2,96	2,96	515	7,0	2,47	2,47	432	5,1			
	3	785	4,05	3,08	700	12,1	3,56	2,88	617	9,7	2,52	2,48	438	5,3	2,15	2,15	373	3,9			
	1	605	3,31	2,48	572	8,5	2,92	2,32	505	6,8	2,08	1,99	361	3,7	1,74	1,74	302	2,6			

LEGEND

WT = Water temperature
 Pc = Cooling total emission
 Ps = Cooling sensible emission
 Qw = Water flow
 Dp(c) = Water pressure drop
 Vdc = Inverter Power
 Qv = Air flow



Cooling emission of 3 row coil

Entering air temperature: 25°C – R.H.: 50%

MODEL ECM	Vdc	WT: 7/12 °C					WT: 8/13 °C					WT: 10/15 °C					WT: 12/17 °C				
		Qv m³/h	Pc kW	Ps kW	Qw l/h	Dp(c) kPa	Pc kW	Ps kW	Qw l/h	Dp(c) kPa	Pc kW	Ps kW	Qw l/h	Dp(c) kPa	Pc kW	Ps kW	Qw l/h	Dp(c) kPa			
CRC 23	10	330	1,33	1,12	232	5,0	1,13	1,04	198	3,8	0,90	0,90	159	2,5	0,74	0,74	131	1,8			
	7,5	270	1,15	0,96	200	3,9	0,99	0,89	172	3,0	0,77	0,78	135	1,9	0,63	0,63	111	1,3			
	5	220	0,99	0,80	171	3,0	0,85	0,75	147	2,3	0,66	0,66	115	1,4	0,54	0,54	94	1,0			
	3	170	0,81	0,65	141	2,1	0,70	0,60	122	1,6	0,53	0,53	93	1,0	0,44	0,44	77	0,7			
	1	120	0,62	0,48	108	1,3	0,53	0,45	93	1,0	0,39	0,39	69	0,6	0,32	0,32	57	0,4			
CRC 43	10	515	2,49	1,99	432	21,6	2,15	1,85	375	16,7	1,63	1,63	284	10,1	1,34	1,34	235	7,1			
	7,5	430	2,17	1,71	376	16,9	1,88	1,59	327	13,1	1,40	1,40	244	7,7	1,16	1,16	202	5,5			
	5	350	1,85	1,44	320	12,7	1,61	1,34	278	9,9	1,18	1,18	205	5,7	0,97	0,97	170	4,0			
	3	280	1,52	1,17	264	9,0	1,33	1,09	230	7,1	0,97	0,97	168	4,0	0,80	0,80	139	2,8			
	1	210	1,20	0,91	207	5,9	1,05	0,84	181	4,6	0,75	0,74	130	2,5	0,62	0,62	108	1,8			
CRC 63	10	735	3,34	2,71	579	14,1	2,88	2,53	501	10,8	2,22	2,22	387	6,8	1,82	1,82	319	4,8			
	7,5	610	2,90	2,33	503	11,0	2,51	2,17	436	8,5	1,90	1,91	331	5,2	1,57	1,57	274	3,6			
	5	495	2,47	1,96	428	8,3	2,14	1,82	371	6,4	1,60	1,60	277	3,8	1,32	1,32	229	2,7			
	3	395	2,07	1,61	357	6,0	1,80	1,50	310	4,7	1,33	1,33	230	2,7	1,10	1,10	190	1,9			
	1	305	1,67	1,28	288	4,1	1,45	1,19	251	3,2	1,06	1,05	183	1,8	0,87	0,87	151	1,3			
CRC 73	10	890	4,18	3,35	726	24,4	3,63	3,12	631	18,9	2,74	2,74	479	11,5	2,26	2,26	396	8,1			
	7,5	755	3,69	2,93	640	19,6	3,21	2,73	557	15,2	2,40	2,40	417	9,0	1,98	1,98	345	6,4			
	5	610	3,12	2,44	541	14,5	2,72	2,27	471	11,3	2,00	2,00	347	6,5	1,65	1,65	287	4,6			
	3	500	2,66	2,06	460	10,9	2,32	1,92	401	8,5	1,69	1,70	293	4,9	1,40	1,40	243	3,4			
	1	400	2,21	1,69	382	7,9	1,93	1,57	334	6,2	1,33	1,39	230	3,4	1,15	1,15	200	2,4			
CRC 93	10	1395	5,25	4,48	920	19,5	4,49	4,18	789	14,9	3,63	3,63	642	10,4	2,97	2,97	528	7,4			
	7,5	1175	4,70	3,95	820	15,9	4,04	3,68	706	12,2	3,21	3,22	563	8,2	2,63	2,63	464	5,8			
	5	945	4,05	3,33	703	12,2	3,49	3,11	607	9,4	2,72	2,72	474	6,1	2,23	2,23	391	4,3			
	3	785	3,56	2,89	616	9,6	3,07	2,69	532	7,5	2,36	2,36	409	4,7	1,94	1,94	337	3,2			
	1	605	2,91	2,32	503	6,8	2,52	2,16	436	5,2	1,91	1,90	331	3,1	1,57	1,57	273	2,1			

LEGEND

- WT = Water temperature
- Pc = Cooling total emission
- Ps = Cooling sensible emission
- Qw = Water flow
- Dp(c) = Water pressure drop
- Vdc = Inverter Power
- Qv = Air flow

Cooling emission of 4 row coil

Entering air temperature: 27°C – R.H.: 50%

MODEL ECM	Vdc	WT: 7/12 °C					WT: 8/13 °C					WT: 10/15 °C					WT: 12/17 °C				
		Qv m ³ /h	Pc kW	Ps kW	Qw l/h	Dp(c) kPa	Pc kW	Ps kW	Qw l/h	Dp(c) kPa	Pc kW	Ps kW	Qw l/h	Dp(c) kPa	Pc kW	Ps kW	Qw l/h	Dp(c) kPa			
CRC 24	10	325	2,00	1,42	348	16,9	1,79	1,33	312	13,8	1,35	1,16	235	8,3	1,02	1,02	179	5,0			
	7,5	260	1,69	1,18	294	12,5	1,52	1,11	264	10,3	1,15	0,97	200	6,2	0,85	0,85	149	3,7			
	5	210	1,42	0,98	245	9,1	1,27	0,92	220	7,5	0,96	0,80	168	4,6	0,71	0,71	123	2,6			
	3	160	1,14	0,78	197	6,2	1,02	0,73	178	5,1	0,78	0,64	136	3,1	0,56	0,56	98	1,8			
	1	115	0,84	0,57	145	3,6	0,75	0,53	131	3,0	0,58	0,46	100	1,9	0,41	0,41	71	1,0			
CRC 44	10	505	3,42	2,38	592	18,5	3,06	2,23	531	15,2	2,32	1,94	403	9,2	1,71	1,71	299	5,4			
	7,5	415	2,92	2,02	506	14,0	2,63	1,89	454	11,5	2,00	1,64	346	7,0	1,45	1,45	253	4,0			
	5	340	2,44	1,67	421	10,1	2,19	1,56	379	8,4	1,67	1,36	290	5,1	1,20	1,20	208	2,8			
	3	265	1,97	1,34	340	7,0	1,77	1,25	307	5,8	1,36	1,09	235	3,6	0,96	0,96	167	1,9			
	1	200	1,54	1,04	266	4,5	1,39	0,97	240	3,7	1,07	0,84	185	2,3	0,75	0,75	129	1,2			
CRC 64	10	720	4,85	3,36	839	37,4	4,36	3,16	755	30,9	3,32	2,75	577	19,0	2,43	2,43	423	10,8			
	7,5	590	4,12	2,84	713	28,1	3,71	2,67	642	23,2	2,84	2,32	492	14,3	2,05	2,05	356	8,0			
	5	475	3,42	2,33	590	20,2	3,08	2,19	533	16,7	2,37	1,91	409	10,4	1,69	1,69	293	5,7			
	3	375	2,79	1,89	481	14,1	2,52	1,78	434	11,7	1,94	1,54	335	7,3	1,36	1,36	236	3,9			
	1	290	2,20	1,48	379	9,2	1,99	1,39	343	7,7	1,54	1,21	265	4,8	1,07	1,07	184	2,5			
CRC 74	10	875	5,70	3,98	987	29,1	5,12	3,74	888	24,0	3,90	3,26	677	14,7	2,87	2,87	501	8,5			
	7,5	735	4,95	3,43	857	22,7	4,46	3,23	771	18,7	3,40	2,81	590	11,5	2,47	2,47	431	6,5			
	5	585	4,11	2,82	710	16,3	3,70	2,65	639	13,5	2,83	2,30	491	8,3	2,04	2,04	354	4,6			
	3	475	3,43	2,34	593	11,9	3,10	2,20	535	9,8	2,38	1,91	412	6,1	1,69	1,69	293	3,3			
	1	380	2,81	1,90	484	8,3	2,53	1,79	437	6,9	1,95	1,55	337	4,3	1,37	1,37	237	2,3			
CRC 94	10	1365	7,60	5,50	1324	23,7	6,77	5,17	1182	19,3	5,04	4,51	883	11,4	3,94	3,94	695	7,4			
	7,5	1145	6,68	4,79	1160	18,8	5,96	4,50	1037	15,3	4,46	3,91	778	9,1	3,43	3,43	602	5,7			
	5	910	5,61	3,97	972	13,8	5,02	3,73	871	11,3	3,77	3,24	656	6,8	2,85	2,85	497	4,1			
	3	755	4,84	3,40	837	10,6	4,34	3,19	750	8,7	3,27	2,77	567	5,2	2,45	2,45	426	3,1			
	1	575	3,87	2,69	669	7,1	3,48	2,52	601	5,9	2,64	2,19	456	3,6	1,93	1,93	335	2,0			

LEGEND

WT = Water temperature
Pc = Cooling total emission
Ps = Cooling sensible emission
Qw = Water flow
Dp(c) = Water pressure drop
Vdc = Inverter Power
Qv = Air flow



Cooling emission of 4 row coil

Entering air temperature: 26°C – R.H.: 50%

MODEL ECM	Vdc	WT: 7/12 °C					WT: 8/13 °C				WT: 10/15 °C				WT: 12/17 °C			
		Qv m³/h	Pc kW	Ps kW	Qw l/h	Dp(c) kPa	Pc kW	Ps kW	Qw l/h	Dp(c) kPa	Pc kW	Ps kW	Qw l/h	Dp(c) kPa	Pc kW	Ps kW	Qw l/h	Dp(c) kPa
CRC 24	10	325	1,78	1,33	310	13,8	1,57	1,25	273	11,0	1,12	1,07	195	6,0	0,93	0,93	163	4,3
	7,5	260	1,51	1,12	262	10,2	1,33	1,04	232	8,2	0,95	0,89	166	4,5	0,78	0,78	136	3,1
	5	210	1,26	0,92	219	7,5	1,12	0,86	194	6,0	0,81	0,74	140	3,3	0,65	0,65	113	2,3
	3	160	1,02	0,74	176	5,1	0,90	0,69	157	4,1	0,65	0,59	114	2,3	0,51	0,51	90	1,5
	1	115	0,75	0,53	130	3,0	0,66	0,50	115	2,4	0,49	0,43	85	1,4	0,37	0,37	65	0,9
CRC 44	10	505	3,05	2,24	528	15,1	2,69	2,09	467	12,1	1,94	1,79	338	6,8	1,57	1,57	274	4,6
	7,5	415	2,61	1,90	452	11,5	2,31	1,77	400	9,2	1,67	1,52	291	5,2	1,33	1,33	232	3,4
	5	340	2,18	1,57	376	8,3	1,93	1,47	334	6,7	1,41	1,26	244	3,8	1,10	1,10	191	2,4
	3	265	1,76	1,26	304	5,7	1,56	1,17	271	4,6	1,14	1,01	198	2,6	0,88	0,88	153	1,7
	1	200	1,38	0,98	238	3,7	1,23	0,91	212	3,0	0,90	0,78	156	1,7	0,68	0,68	119	1,1
CRC 64	10	720	4,33	3,17	750	30,8	3,84	2,96	666	24,7	2,79	2,55	486	14,0	2,22	2,22	388	9,3
	7,5	590	3,69	2,67	638	23,1	3,27	2,50	567	18,6	2,39	2,15	415	10,6	1,87	1,87	326	6,9
	5	475	3,06	2,20	529	16,6	2,72	2,06	470	13,4	2,00	1,77	346	7,7	1,55	1,55	268	4,9
	3	375	2,50	1,78	431	11,6	2,22	1,66	384	9,4	1,64	1,43	283	5,4	1,25	1,25	217	3,3
	1	290	1,97	1,40	340	7,6	1,76	1,30	304	6,2	1,30	1,12	225	3,6	0,98	0,98	169	2,2
CRC 74	10	875	5,09	3,75	883	23,9	4,51	3,51	782	19,2	3,27	3,02	569	10,8	2,63	2,63	459	7,3
	7,5	735	4,43	3,23	766	18,6	3,93	3,02	680	15,0	2,86	2,60	497	8,5	2,26	2,26	394	5,6
	5	585	3,67	2,66	635	13,4	3,26	2,48	565	10,8	2,39	2,13	414	6,2	1,87	1,87	325	4,0
	3	475	3,08	2,21	531	9,8	2,74	2,06	473	7,9	2,01	1,77	348	4,5	1,55	1,55	269	2,8
	1	380	2,51	1,79	434	6,8	2,24	1,67	387	5,6	1,65	1,44	286	3,2	1,26	1,26	217	2,0
CRC 94	10	1365	6,74	5,18	1177	19,3	5,92	4,85	1035	15,3	4,30	4,30	757	8,7	3,59	3,59	635	6,3
	7,5	1145	5,93	4,50	1031	15,3	5,22	4,21	908	12,1	3,67	3,62	643	6,5	3,13	3,13	549	4,9
	5	910	4,99	3,74	866	11,2	4,40	3,50	764	8,9	3,12	3,00	544	4,9	2,60	2,60	454	3,5
	3	755	4,31	3,98	745	8,6	3,80	2,99	659	6,9	2,72	2,56	472	3,8	2,24	2,24	390	2,7
	1	575	3,45	2,53	597	5,8	3,05	2,36	528	4,7	2,20	2,02	382	2,6	1,77	1,77	307	1,7

LEGEND

- WT = Water temperature
- Pc = Cooling total emission
- Ps = Cooling sensible emission
- Qw = Water flow
- Dp(c) = Water pressure drop
- Vdc = Inverter Power
- Qv = Air flow

Cooling emission of 4 row coil

Entering air temperature: 25°C – R.H.: 50%

MODEL ECM	Vdc	WT: 7/12 °C					WT: 8/13 °C					WT: 10/15 °C					WT: 12/17 °C				
		Qv m ³ /h	Pc kW	Ps kW	Qw l/h	Dp(c) kPa	Pc kW	Ps kW	Qw l/h	Dp(c) kPa	Pc kW	Ps kW	Qw l/h	Dp(c) kPa	Pc kW	Ps kW	Qw l/h	Dp(c) kPa			
CRC 24	10	325	1,57	1,25	273	11,0	1,35	1,16	236	8,5	1,02	1,02	179	5,1	0,84	0,84	148	3,6			
	7,5	260	1,33	1,04	231	8,2	1,15	0,97	200	6,3	0,85	0,85	149	3,7	0,70	0,70	123	2,6			
	5	210	1,11	0,86	193	6,0	0,97	0,80	168	4,6	0,71	0,71	124	2,7	0,59	0,59	103	1,9			
	3	160	0,90	0,69	156	4,1	0,78	0,64	136	3,2	0,56	0,56	99	1,8	0,47	0,47	82	1,3			
	1	115	0,66	0,50	115	2,4	0,58	0,46	100	1,9	0,39	0,39	68	0,9	0,34	0,34	59	0,7			
CRC 44	10	505	2,68	2,10	466	12,1	2,33	1,95	405	9,4	1,72	1,72	300	5,5	1,41	1,42	246	3,9			
	7,5	415	2,30	1,78	399	9,2	2,00	1,65	347	7,2	1,46	1,46	254	4,1	1,21	1,21	210	2,9			
	5	340	1,92	1,47	333	6,7	1,68	1,37	290	5,2	1,21	1,21	209	2,9	1,00	1,00	174	2,1			
	3	265	1,56	1,18	269	4,6	1,36	1,09	235	3,6	0,92	0,92	160	1,8	0,80	0,80	139	1,4			
	1	200	1,22	0,92	211	3,0	1,07	0,85	185	2,4	0,73	0,71	127	1,2	0,62	0,62	108	0,9			
CRC 64	10	720	3,83	2,97	664	24,8	3,33	2,77	578	19,3	2,44	2,44	424	11,1	2,01	2,01	352	7,8			
	7,5	590	3,26	2,51	565	18,6	2,84	2,33	493	14,6	2,05	2,05	357	8,1	1,70	1,70	296	5,8			
	5	475	2,71	2,06	469	13,4	2,37	1,92	410	10,5	1,69	1,69	294	5,8	1,40	1,40	244	4,1			
	3	375	2,21	1,67	382	9,4	1,94	1,55	335	7,4	1,33	1,31	230	3,8	1,13	1,14	196	2,8			
	1	290	1,75	1,31	302	6,2	1,53	1,12	265	4,9	1,06	1,03	184	2,5	0,89	0,89	154	1,8			
CRC 74	10	875	4,50	3,52	780	19,2	3,91	3,27	679	15,0	2,88	2,88	502	8,7	2,38	2,38	416	6,1			
	7,5	735	3,91	3,03	678	15,0	3,41	2,82	591	11,7	2,48	2,48	432	6,7	2,05	2,05	358	4,7			
	5	585	3,25	2,49	562	10,8	2,84	2,32	491	8,5	2,05	2,05	356	4,7	1,70	1,70	295	3,4			
	3	475	2,72	2,07	471	7,9	2,38	1,92	412	6,2	1,62	1,62	281	3,1	1,41	1,41	244	2,4			
	1	380	2,23	1,68	385	5,5	1,95	1,56	337	4,4	1,34	1,32	232	2,2	1,14	1,14	198	1,7			
CRC 94	10	1365	5,91	4,86	1033	15,3	5,08	4,52	891	11,7	3,95	3,95	696	7,5	3,23	3,23	573	5,3			
	7,5	1145	5,20	4,22	906	12,2	4,49	3,93	783	9,3	3,44	3,44	603	5,8	2,82	2,82	497	4,1			
	5	910	4,39	3,50	762	9,0	3,79	3,26	659	6,9	2,86	2,86	498	4,2	2,35	2,35	411	2,9			
	3	755	3,79	2,99	657	6,9	3,28	2,78	569	5,3	2,46	2,46	427	3,2	2,03	2,03	353	2,2			
	1	575	3,04	2,37	526	4,7	2,64	2,20	457	3,6	1,94	1,94	336	2,1	1,60	1,60	278	1,5			

LEGEND

WT = Water temperature
Pc = Cooling total emission
Ps = Cooling sensible emission
Qw = Water flow
Dp(c) = Water pressure drop
Vdc = Inverter Power
Qv = Air flow

Heating emission of 3 row coil

Entering air temperature: 20°C

MODEL ECM	Vdc	Qv m ³ /h	WT: 70/60 °C			WT: 60/50 °C			WT: 50/40 °C			WT: 50/45 °C			WT: 45/40 °C		
			Ph kW	Qw l/h	Dp(c) kPa	Ph kW	Qw l/h	Dp(c) kPa	Ph kW	Qw l/h	Dp(c) kPa	Ph kW	Qw l/h	Dp(c) kPa	Ph kW	Qw l/h	Dp(c) kPa
CRC 23	10	330	3,64	313	6,7	2,78	239	4,3	1,92	165	2,3	2,22	383	10	1,80	309	7,0
	7,5	270	3,09	265	5,0	2,36	203	3,2	1,63	140	1,7	1,89	324	7,5	1,52	262	5,2
	5	220	2,61	224	3,7	1,99	171	2,4	1,38	119	1,3	1,59	274	5,6	1,29	222	3,9
	3	170	2,10	181	2,5	1,61	138	1,6	1,12	96	0,9	1,28	221	3,8	1,04	179	2,7
	1	120	1,55	133	1,5	1,19	102	1,0	0,83	71	0,5	0,95	163	2,2	0,77	132	1,6
CRC 43	10	515	6,33	544	25,2	4,86	418	16,3	3,39	291	8,9	3,87	665	37,9	3,14	540	26,7
	7,5	430	5,43	467	19,2	4,17	359	12,5	2,91	250	6,8	3,32	571	28,9	2,69	463	20,4
	5	350	4,55	391	14,1	3,50	301	9,1	2,44	210	5,0	2,78	478	21,2	2,26	388	14,9
	3	280	3,70	318	9,8	2,85	245	6,4	1,99	171	3,5	2,26	389	14,7	1,84	316	10,4
	1	210	2,85	245	6,2	2,20	189	4,0	1,54	133	2,2	1,74	300	9,3	1,42	244	6,6
CRC 63	10	735	8,37	719	16	6,41	551	10,3	4,45	383	5,6	5,11	879	24,1	4,14	712	17
	7,5	610	7,17	616	12,2	5,50	473	7,9	3,82	329	4,3	4,38	753	18,4	3,55	610	12,9
	5	495	6,04	520	9,0	4,64	399	5,9	3,23	278	3,2	3,69	635	13,6	3,00	515	9,6
	3	395	4,97	427	6,4	3,82	328	4,2	2,66	229	2,3	3,03	522	9,6	2,46	424	6,8
	1	305	3,95	339	4,3	3,04	261	2,8	2,12	182	1,5	2,41	415	6,4	1,96	337	4,5
CRC 73	10	890	10,25	882	26,7	7,87	677	17,3	5,49	472	9,5	6,26	1077	40,1	5,08	874	28,3
	7,5	755	8,94	769	21	6,87	591	13,6	4,79	412	7,5	5,46	939	31,5	4,43	762	22,2
	5	610	7,50	645	15,4	5,77	496	10	4,03	347	5,5	4,58	788	23,2	3,72	640	16,4
	3	500	6,30	542	11,3	4,85	417	7,4	3,93	338	4,1	3,85	662	17	3,13	538	12,1
	1	400	5,16	444	8,0	3,98	342	5,2	2,79	240	2,9	3,15	542	12	2,56	441	8,5
CRC 93	10	1395	14,95	1285	22,9	11,42	982	14,7	7,90	679	8,0	9,13	1570	34,5	7,38	1270	24,2
	7,5	1175	13,06	1123	18,1	9,99	859	11,6	6,92	595	6,3	7,98	1372	27,2	6,46	1111	19,1
	5	945	10,94	941	13,2	8,38	720	8,5	5,81	500	4,6	6,68	1149	19,9	5,41	931	14
	3	785	9,40	809	10,1	7,21	620	6,5	5,00	430	3,6	5,74	988	15,3	4,66	801	10,7
	1	605	7,55	649	6,9	5,79	498	4,5	4,03	347	2,4	4,61	793	10,4	3,74	643	7,3

LEGEND

WT = Water temperature
 Ph = Emission
 Qw = Water flow
 Dp(c) = Water pressure drop
 Vdc = Inverter Power
 Qv = Air flow

Heating emission of 4 row coil

Entering air temperature: 20°C

MODEL ECM	Vdc	WT: 70/60 °C				WT: 60/50 °C			WT: 50/40 °C			WT: 50/45 °C			WT: 45/40 °C		
		Qv m ³ /h	Ph kW	Qw l/h	Dp(c) kPa	Ph kW	Qw l/h	Dp(c) kPa	Ph kW	Qw l/h	Dp(c) kPa	Ph kW	Qw l/h	Dp(c) kPa	Ph kW	Qw l/h	Dp(c) kPa
CRC 24	10	325	4,01	344	12,9	3,07	264	8,3	2,14	184	4,5	2,45	421	19,4	1,98	341	13,6
	7,5	260	3,33	286	9,3	2,56	220	6,0	1,78	153	3,3	2,03	350	14	1,65	284	9,9
	5	210	2,75	237	6,7	2,12	182	4,3	1,48	127	2,4	1,68	289	10	1,37	235	7,1
	3	160	2,18	187	4,4	1,68	144	2,9	1,17	101	1,6	1,33	229	6,6	1,08	186	4,7
	1	115	1,57	135	2,5	1,21	104	1,6	0,85	73	0,9	0,96	165	3,7	0,78	134	2,6
CRC 44	10	505	6,60	568	12,9	5,07	436	8,4	3,54	304	4,6	4,04	694	19,5	3,28	563	13,7
	7,5	415	5,57	479	9,6	4,29	369	6,2	3,00	258	3,4	3,41	586	14,5	2,77	476	10,2
	5	340	4,59	394	6,8	3,53	304	4,4	2,48	213	2,5	2,81	484	10,3	2,29	394	7,3
	3	265	3,67	316	4,6	2,83	243	3,0	1,99	171	1,7	2,24	386	6,9	1,83	314	4,9
	1	200	2,83	244	2,9	2,19	188	1,9	1,54	132	1,1	1,73	298	4,4	1,41	243	3,1
CRC 64	10	720	9,43	811	27,4	7,26	624	17,8	5,08	437	9,8	5,76	991	41,2	4,68	805	29,1
	7,5	590	7,90	679	20,1	6,09	523	13,1	4,27	367	7,2	4,83	830	30,2	3,93	675	21,4
	5	475	6,48	557	14,2	5,00	430	9,2	3,51	302	5,1	3,96	681	21,3	3,23	555	15,1
	3	375	5,21	448	9,6	4,02	346	6,3	2,83	243	3,5	3,19	548	14,5	2,59	446	10,3
	1	290	4,05	348	6,2	3,13	269	4,1	2,21	190	2,3	2,48	426	9,3	2,02	347	6,6
CRC 74	10	875	10,93	940	20,7	8,41	723	13,5	5,88	505	7,4	6,68	1149	31,2	5,43	933	22
	7,5	735	9,39	808	15,9	7,23	622	10,3	5,06	435	5,7	5,74	987	23,9	4,66	802	16,9
	5	585	7,73	664	11,3	5,95	512	7,3	4,17	359	4,1	4,72	812	16,9	3,84	660	12
	3	475	6,38	549	8,0	4,92	423	5,2	3,45	297	2,9	3,90	671	12,1	3,17	546	8,6
	1	380	5,16	444	5,5	3,98	342	3,6	2,80	241	2,0	3,15	542	8,3	2,57	442	5,9
CRC 94	10	1365	16,03	1379	19,8	12,27	1055	12,8	8,50	731	6,9	9,79	1685	29,8	7,93	1364	20,9
	7,5	1145	13,82	1188	15,2	10,58	910	9,8	7,35	632	5,3	8,44	1452	22,9	6,84	1176	16,1
	5	910	11,37	978	10,8	8,72	750	7,0	6,06	521	3,8	6,94	1194	16,3	5,63	969	11,4
	3	755	9,69	834	8,2	7,44	640	5,3	5,18	446	2,9	5,92	1019	12,3	4,81	826	8,7
	1	575	7,58	652	5,3	5,82	501	3,4	4,07	350	1,9	4,63	796	8,0	3,76	647	5,6

LEGEND

WT = Water temperature
 Ph = Emission
 Qw = Water flow
 Dp(c) = Water pressure drop
 Vdc = Inverter Power
 Qv = Air flow

Heating emission of 1 row additional coil

Entering air temperature: 20°C

MODEL ECM	Vdc	WT: 80/70 °C			WT: 75/65 °C			WT: 70/60 °C			WT: 65/55 °C			WT: 60/50 °C			WT: 55/45 °C			
		Qv	Ph	Qw	Dp(c)	Ph	Qw	Dp(c)	Ph	Qw	Dp(c)	Ph	Qw	Dp(c)	Ph	Qw	Dp(c)	Ph	Qw	Dp(c)
		m³/h	kW	l/h	kPa	kW	l/h	kPa	kW	l/h	kPa	kW	l/h	kPa	kW	l/h	kPa	kW	l/h	kPa
CRC 2	10	330	2,04	176	6,3	1,84	158	5,3	1,63	140	4,3	1,43	123	3,5	1,22	105	2,7	1,018	88	2,0
	7,5	270	1,78	153	4,9	1,60	138	4,1	1,42	122	3,4	1,24	107	2,7	1,07	92	2,1	0,888	76	1,6
	5	220	1,54	132	3,8	1,38	119	3,2	1,23	106	2,6	1,08	93	2,1	0,92	79	1,6	0,77	66	1,2
	3	170	1,29	111	2,8	1,16	100	2,4	1,04	89	1,9	0,91	78	1,6	0,78	67	1,2	0,65	56	0,9
	1	120	1,02	87	1,8	0,92	79	1,5	0,81	70	1,3	0,71	61	1,0	0,61	53	0,8	0,512	44	0,6
CRC 4	10	515	3,41	293	19,4	3,08	264	16,4	2,74	236	13,6	2,41	207	11	2,07	178	8,6	1,74	150	6,4
	7,5	430	3,01	259	15,6	2,72	234	13,2	2,42	208	10,9	2,13	183	8,8	1,83	158	6,9	1,54	132	5,2
	5	350	2,62	225	12,2	2,36	203	10,3	2,11	181	8,5	1,85	159	6,9	1,60	137	5,4	1,34	115	4,0
	3	280	2,22	191	9,1	2,01	172	7,7	1,79	154	6,4	1,57	135	5,2	1,36	117	4,1	1,139	98	3,0
	1	210	1,82	157	6,4	1,64	141	5,4	1,47	126	4,5	1,29	111	3,6	1,11	96	2,9	0,935	80	2,1
CRC 6	10	735	4,61	396	6,4	4,14	356	5,4	3,68	317	4,5	3,22	277	3,6	2,76	238	2,8	2,303	198	2,0
	7,5	610	4,05	348	5,1	3,64	313	4,3	3,24	278	3,6	2,83	244	2,9	2,43	209	2,2	2,029	174	1,6
	5	495	3,50	301	4,0	3,15	271	3,3	2,80	241	2,8	2,45	211	2,2	2,11	181	1,7	1,76	151	1,3
	3	395	3,00	258	3,0	2,70	232	2,5	2,40	206	2,1	2,10	181	1,7	1,81	155	1,3	1,509	130	1,0
	1	305	2,50	215	2,2	2,25	194	1,9	2,00	172	1,5	1,76	151	1,2	1,51	130	1,0	1,263	109	0,7
CRC 7	10	890	5,77	496	11,2	5,20	447	9,5	4,63	398	7,8	4,06	349	6,3	3,50	301	4,9	2,929	252	3,7
	7,5	755	5,15	443	9,2	4,64	399	7,8	4,13	355	6,4	3,63	312	5,2	3,12	268	4,0	2,616	225	3,0
	5	610	4,43	381	7,1	4,00	344	6,0	3,56	306	4,9	3,13	269	4,0	2,69	231	3,1	2,258	194	2,3
	3	500	3,86	332	5,5	3,48	299	4,7	3,10	267	3,9	2,72	234	3,1	2,35	202	2,4	1,969	169	1,8
	1	400	3,30	284	4,2	2,97	256	3,5	2,65	228	2,9	2,33	200	2,4	2,01	173	1,9	1,685	145	1,4
CRC 9	10	1395	7,46	641	17,6	6,72	578	14,9	5,98	514	12,3	5,24	451	9,9	4,51	388	7,7	3,772	324	5,7
	7,5	1175	6,67	574	14,5	6,01	517	12,2	5,35	460	10,1	4,69	404	8,2	4,04	347	6,4	3,379	291	4,7
	5	945	5,75	495	11,2	5,18	446	9,4	4,62	397	7,8	4,05	348	6,3	3,48	300	4,9	2,919	251	3,7
	3	785	5,08	437	9,0	4,58	394	7,6	4,08	351	6,3	3,58	308	5,1	3,08	265	3,9	2,582	222	2,9
	1	605	4,23	364	6,5	3,82	328	5,5	3,40	292	4,6	2,99	257	3,7	2,57	221	2,9	2,158	186	2,1

LEGEND

- WT = Water temperature
- Ph = Emission
- Qw = Water flow
- Dp(c) = Water pressure drop
- Vdc = Inverter Power
- Qv = Air flow

Heating emission of 2 row additional coil

Entering air temperature: 20°C

MODEL ECM	Vdc	WT: 65/55 °C			WT: 60/50 °C			WT: 55/45 °C			WT: 50/40 °C			WT: 45/40 °C			WT: 45/35 °C			
		Qv m³/h	Ph kW	Qw l/h	Dp(c) kPa	Ph kW	Qw l/h	Dp(c) kPa	Ph kW	Qw l/h	Dp(c) kPa	Ph kW	Qw l/h	Dp(c) kPa	Ph kW	Qw l/h	Dp(c) kPa	Ph kW	Qw l/h	Dp(c) kPa
CRC 2	10	330	2,48	214	16,7	2,15	184	13,1	1,81	155	9,9	1,47	126	7,0	1,39	239	21,6	1,13	97	4,5
	7,5	270	2,13	183	12,7	1,84	158	10	1,55	133	7,5	1,26	109	5,3	1,19	205	16,5	0,97	84	3,4
	5	220	1,81	155	9,6	1,56	134	7,5	1,32	113	5,7	1,07	92	4,0	1,01	174	12,4	0,83	71	2,6
	3	170	1,49	128	6,8	1,29	111	5,3	1,10	94	4,1	0,89	77	2,9	0,84	144	8,9	0,69	59	1,9
	1	120	1,13	97	4,2	0,98	84	3,3	0,83	71	2,5	0,68	58	1,8	0,63	109	5,4	0,52	45	1,2
CRC 4	10	515	3,90	335	7,6	3,36	289	5,9	2,82	243	4,4	2,29	197	3,1	2,18	375	9,8	1,76	151	2,0
	7,5	430	3,40	292	5,9	2,93	252	4,7	2,47	212	3,5	2,00	172	2,5	1,90	327	7,7	1,54	132	1,6
	5	350	2,90	249	4,5	2,50	215	3,5	2,11	181	2,6	1,71	147	1,9	1,62	279	5,8	1,32	113	1,2
	3	280	2,43	209	3,3	2,10	181	2,6	1,77	152	1,9	1,44	124	1,4	1,36	234	4,3	1,11	95	0,9
	1	210	1,94	166	2,2	1,67	144	1,7	1,41	121	1,3	1,15	99	0,9	1,08	186	2,8	0,89	76	0,6
CRC 6	10	735	5,63	484	17,8	4,87	419	14	4,11	353	10,5	3,35	288	7,5	3,15	542	23	2,59	223	4,9
	7,5	610	4,88	419	13,8	4,22	363	10,9	3,56	306	8,2	2,91	250	5,8	2,73	470	17,9	2,25	194	3,8
	5	495	4,14	356	10,3	3,58	308	8,1	3,03	260	6,2	2,47	213	4,4	2,32	398	13,4	1,92	165	2,9
	3	395	3,46	297	7,5	3,00	258	5,9	2,53	218	4,5	2,09	180	3,3	1,96	336	9,9	1,62	139	2,1
	1	305	2,83	243	5,3	2,45	211	4,2	2,08	178	3,2	1,70	146	2,3	1,58	272	6,9	1,32	113	1,5
CRC 7	10	890	7,01	603	31,1	6,07	522	24,5	5,14	442	18,6	4,20	361	13,3	3,93	675	40,2	3,27	281	8,7
	7,5	755	6,17	530	24,8	5,34	460	19,6	4,52	389	14,8	3,70	318	10,6	3,45	594	32,1	2,88	248	6,9
	5	610	5,20	447	18,4	4,51	388	14,5	3,82	328	11	3,13	269	7,9	2,91	501	23,8	2,44	209	5,2
	3	500	4,47	384	14,1	3,88	333	11,1	3,28	282	8,4	2,69	232	6,1	2,50	431	18,2	2,10	180	4,0
	1	400	3,72	320	10,2	3,23	277	8,1	2,74	235	6,1	2,24	193	4,4	2,08	358	13,2	1,75	151	2,9
CRC 9	10	1395	9,60	825	54	8,31	714	42,6	7,02	604	32,2	5,74	493	22,9	-	-	-	4,45	383	15
	7,5	1175	8,49	730	43,5	7,35	632	34,3	6,22	535	26	5,08	437	18,5	-	-	-	3,94	339	12,1
	5	945	7,22	621	32,7	6,25	538	25,8	5,29	455	19,5	4,33	372	14	-	-	-	3,36	289	9,1
	3	785	6,28	540	25,6	5,45	468	20,2	4,61	396	15,3	3,77	324	11	-	-	-	2,93	252	7,2
	1	605	5,12	440	17,8	4,44	381	14,1	3,76	323	10,7	3,08	265	7,7	-	-	-	2,40	206	5,0

LEGEND

WT = Water temperature
Ph = Emission
Qw = Water flow
Dp(c) = Water pressure drop
Vdc = Inverter Power
Qv = Air flow

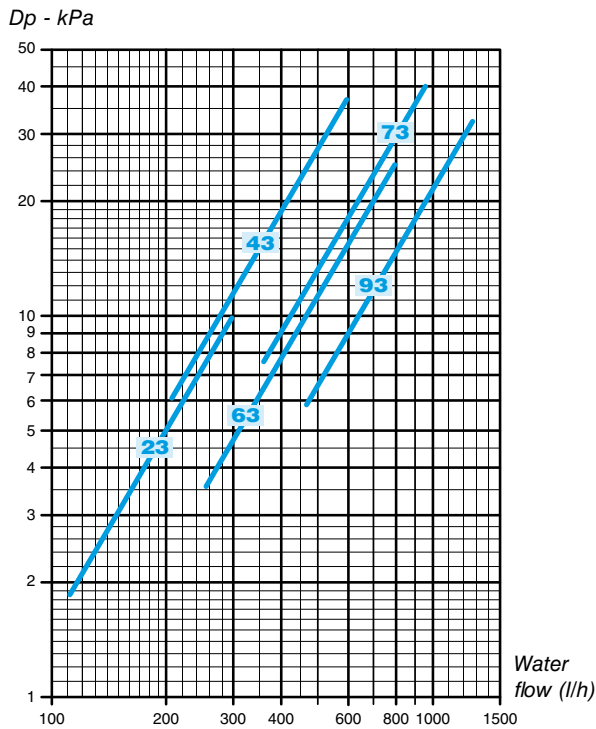
**Air flow and correction factors for emission
with different available pressures**

MODEL ECM	Vdc	Qv (m³/h)									K1									K2									
		Ap (Pa)									Ap (Pa)									Ap (Pa)									
		0	5	10	15	20	25	30	35	40	0	5	10	15	20	25	30	35	40	0	5	10	15	20	25	30	35	40	
CRC 2	10	330	312	288	257	223	171	88	-	-	1,00	0,95	0,89	0,82	0,73	0,60	0,32	-	-	-	0,95	0,88	0,80	0,72	0,58	0,29	-	-	
	8,5	307	276	251	213	162	92	29	-	-	1,00	0,91	0,85	0,75	0,61	0,36	0,06	-	-	-	1,00	0,90	0,83	0,73	0,59	0,34	0,03	-	-
	7,5	270	252	219	178	103	-	-	-	-	1,00	0,94	0,84	0,72	0,46	-	-	-	-	-	1,00	0,94	0,83	0,70	0,44	-	-	-	-
	6,5	248	227	187	130	56	-	-	-	-	1,00	0,93	0,80	0,60	0,26	-	-	-	-	-	1,00	0,92	0,78	0,58	0,24	-	-	-	-
	5	220	187	126	55	-	-	-	-	-	1,00	0,88	0,65	0,30	-	-	-	-	-	-	1,00	0,86	0,63	0,27	-	-	-	-	-
	3	170	122	45	-	-	-	-	-	-	1,00	0,77	0,32	-	-	-	-	-	-	-	1,00	0,75	0,29	-	-	-	-	-	-
	2	144	82	-	-	-	-	-	-	-	1,00	0,65	-	-	-	-	-	-	-	-	1,00	0,63	-	-	-	-	-	-	-
	1	120	68	-	-	-	-	-	-	-	1,00	0,64	-	-	-	-	-	-	-	-	1,00	0,62	-	-	-	-	-	-	-
CRC 4	10	515	499	477	448	401	332	247	100	-	1,00	0,97	0,94	0,89	0,82	0,71	0,56	0,22	-	-	0,97	0,93	0,88	0,80	0,69	0,54	0,19	-	
	8,5	459	444	419	377	323	229	54	-	-	1,00	0,97	0,93	0,85	0,76	0,58	0,10	-	-	-	1,00	0,97	0,92	0,84	0,74	0,56	0,07	-	-
	7,5	430	396	363	320	240	89	-	-	-	1,00	0,93	0,87	0,79	0,63	0,24	-	-	-	-	1,00	0,92	0,86	0,77	0,61	0,21	-	-	-
	6,5	394	374	333	272	135	-	-	-	-	1,00	0,95	0,87	0,74	0,41	-	-	-	-	-	1,00	0,95	0,86	0,73	0,39	-	-	-	-
	5	350	308	255	107	-	-	-	-	-	1,00	0,90	0,78	0,37	-	-	-	-	-	-	1,00	0,89	0,76	0,35	-	-	-	-	-
	3	280	227	99	-	-	-	-	-	-	1,00	0,84	0,43	-	-	-	-	-	-	-	1,00	0,83	0,41	-	-	-	-	-	-
	2	233	170	-	-	-	-	-	-	-	1,00	0,78	-	-	-	-	-	-	-	-	1,00	0,76	-	-	-	-	-	-	-
	1	210	126	-	-	-	-	-	-	-	1,00	0,67	-	-	-	-	-	-	-	-	1,00	0,65	-	-	-	-	-	-	-
CRC 6	10	735	696	673	622	558	431	286	168	-	1,00	0,95	0,93	0,87	0,80	0,66	0,47	0,27	-	-	0,95	0,92	0,86	0,78	0,64	0,45	0,24	-	
	8,5	650	628	583	525	421	269	110	-	-	1,00	0,97	0,91	0,84	0,71	0,49	0,18	-	-	-	1,00	0,97	0,90	0,82	0,69	0,47	0,15	-	-
	7,5	610	564	528	437	284	129	-	-	-	1,00	0,94	0,89	0,77	0,55	0,25	-	-	-	-	1,00	0,93	0,87	0,75	0,53	0,22	-	-	-
	6,5	558	510	457	340	189	-	-	-	-	1,00	0,93	0,85	0,68	0,41	-	-	-	-	-	1,00	0,92	0,83	0,66	0,39	-	-	-	-
	5	495	432	352	154	-	-	-	-	-	1,00	0,89	0,76	0,38	-	-	-	-	-	-	1,00	0,88	0,74	0,36	-	-	-	-	-
	3	395	319	151	82	-	-	-	-	-	1,00	0,84	0,46	0,24	-	-	-	-	-	-	1,00	0,82	0,44	0,21	-	-	-	-	-
	2	351	221	-	-	-	-	-	-	-	1,00	0,70	-	-	-	-	-	-	-	-	1,00	0,68	-	-	-	-	-	-	-
	1	305	177	-	-	-	-	-	-	-	1,00	0,65	-	-	-	-	-	-	-	-	1,00	0,63	-	-	-	-	-	-	-
CRC 7	10	890	846	815	756	699	590	486	341	191	1,00	0,96	0,93	0,87	0,82	0,72	0,62	0,46	0,25	-	0,95	0,92	0,86	0,81	0,70	0,60	0,44	0,22	
	8,5	805	756	703	652	560	437	279	114	-	1,00	0,95	0,89	0,84	0,75	0,62	0,42	0,14	-	-	1,00	0,94	0,88	0,83	0,73	0,60	0,40	0,11	-
	7,5	755	696	637	558	459	300	140	-	-	1,00	0,93	0,87	0,79	0,68	0,48	0,21	-	-	-	1,00	0,93	0,86	0,77	0,66	0,46	0,18	-	-
	6,5	703	637	560	449	336	175	-	-	-	1,00	0,92	0,83	0,70	0,56	0,30	-	-	-	-	1,00	0,91	0,82	0,68	0,54	0,27	-	-	-
	5	610	532	443	313	133	-	-	-	-	1,00	0,89	0,78	0,59	0,26	-	-	-	-	-	1,00	0,88	0,76	0,57	0,23	-	-	-	-
	3	500	398	255	83	-	-	-	-	-	1,00	0,83	0,59	0,18	-	-	-	-	-	-	1,00	0,81	0,57	0,15	-	-	-	-	-
	2	452	348	178	-	-	-	-	-	-	1,00	0,81	0,47	-	-	-	-	-	-	-	1,00	0,79	0,45	-	-	-	-	-	-
	1	400	279	-	-	-	-	-	-	-	1,00	0,75	-	-	-	-	-	-	-	-	1,00	0,73	-	-	-	-	-	-	-
CRC 9	10	1395	1310	1225	1180	1125	1060	1000	930	860	1,00	0,95	0,90	0,87	0,84	0,80	0,77	0,73	0,68	-	0,94	0,89	0,86	0,82	0,78	0,75	0,71	0,66	
	8,5	1265	1175	1080	1020	960	880	800	720	640	1,00	0,94	0,88	0,84	0,80	0,75	0,70	0,64	0,59	-	1,00	0,93	0,86	0,82	0,78	0,73	0,68	0,62	0,57
	7,5	1175	1075	970	910	840	750	650	545	450	1,00	0,93	0,85	0,81	0,77	0,70	0,63	0,54	0,46	-	1,00	0,92	0,84	0,80	0,75	0,68	0,61	0,52	0,44
	6,5	1085	980	865	790	700	605	500	350	200	1,00	0,92	0,83	0,78	0,71	0,63	0,54	0,39	0,21	-	1,00	0,91	0,82	0,76	0,69	0,61	0,52	0,37	0,18
	5	945	835	680	580	460	315	160	-	-	1,00	0,90	0,77	0,68	0,57	0,40	0,18	-	-	-	1,00	0,89	0,75	0,66	0,55	0,38	0,15	-	-
	3	785	620	400	230	50	-	-	-	-	1,00	0,83	0,59	0,35	-	-	-	-	-	-	1,00	0,81	0,57	0,33	-	-	-	-	-
	2	700	500	200	-	-	-	-	-	-	1,00	0,77	0,34	-	-	-	-	-	-	-	1,00	0,75	0,32	-	-	-	-	-	-
	1	605	390	-	-	-	-	-	-	-	1,00	0,71	-	-	-	-	-	-	-	-	1,00	0,69	-	-	-	-	-	-	-

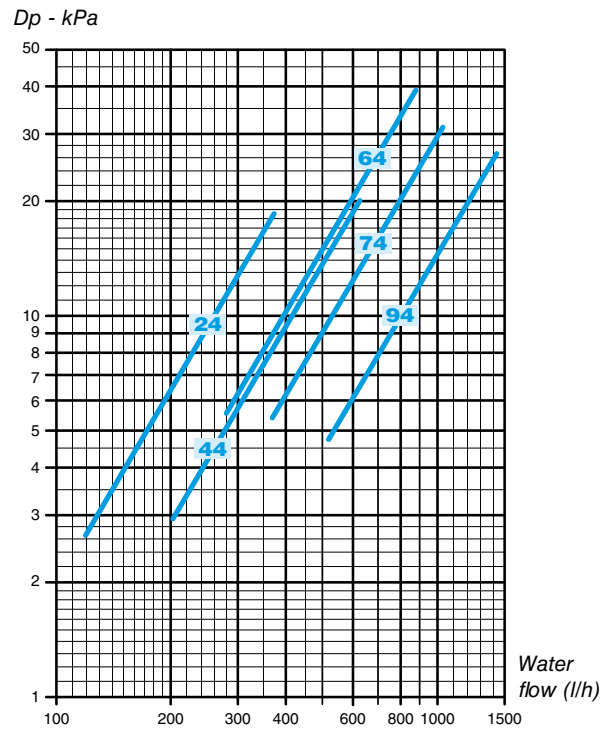
LEGEND

- Qv = Air flow
- K1 = Correction factors for Total cooling emission
- K2 = Correction factors for Sensible cooling emission and Heating emission
- Ap = Available pressure
- Vdc = Inverter Power

3 row coil



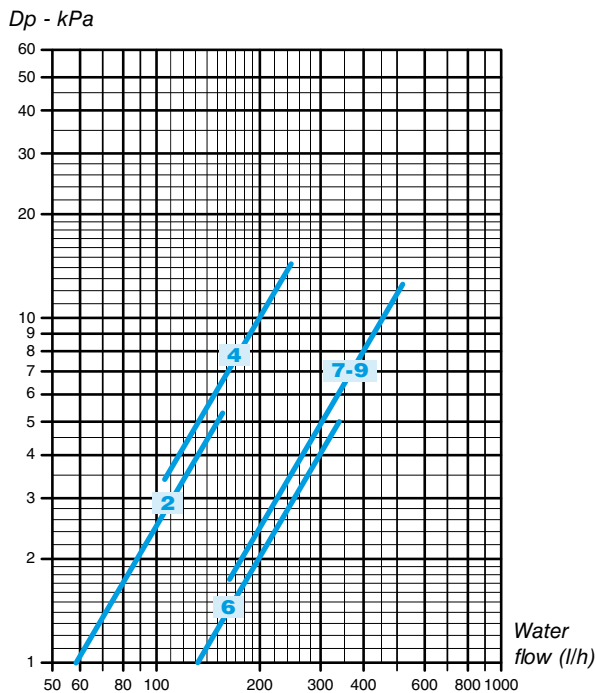
4 row coil



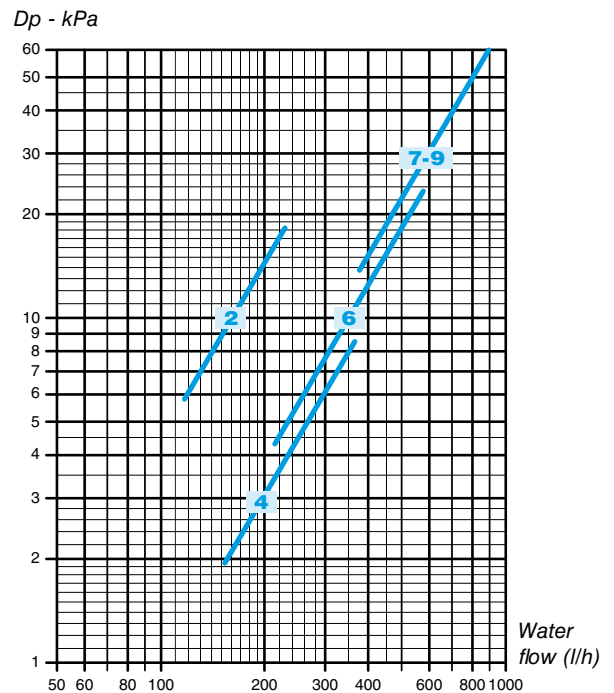
The water pressure drop figures refer to a mean water temperature of **10°C**; for different temperatures, multiply the pressure drop figures by the correction factors **K**.

°C	20	30	40	50	60	70	80
K	0,94	0,90	0,86	0,82	0,78	0,74	0,70

1 row additional coil



2 row additional coil



The water pressure drop figures refer to a mean water temperature of **60°C**; for different temperatures, multiply the pressure drop figures by the correction factors **K**.

°C	40	50	70	80
K	1,12	1,06	0,94	0,88

Outer casing

Made of strong synthetic lateral corners and from galvanized and prepainted front steel panel. The plastic top grid has fixed louvres and is reversible in order to distribute the air in two different directions.

Standard colours:

- Lateral corners and top grid: **Pantone Cool Grey 1C (light grey)**
- Frontal panel: **RAL 9003 (white)**
- Other colours on request.

Inner casing

Made from 1 mm galvanized steel insulated with 3 mm polyolefin (PO) foam (class M1).

Filter

Polypropylene cellular fabric regenerating filter. The filter frame of galvanized steel is inserted into special plastic sliding guides fastened to the internal structure for easy insertion and removal of the filter. Filter presence is highlighted by a plastic front cover featuring the same colour as the top grid.



Fan assembly

The tangential fan assembly is composed of two fan shrouds: an external one in ABS and an internal one of holed, shaped steel. The fan has an external diameter of 120mm and is the length of the coil. The fins are concave and are positioned in a spiral shape along the whole length of the fan.

Electronic motor

Three phase permanent magnet brushless electronic motor that is controlled with reconstructed current according to a BLAC sinusoidal wave. The inverter board that controls the motor operation is powered by 230 Volt, single-phase and, with a switching system, it generates a three-phase frequency modulated, wave form power supply. The electric power supply required for the machine is therefore single-phase with voltage of 230-240V and frequency of 50-60Hz.

Coil

It is manufactured from drawn copper tube and the aluminium fins are mechanically bonded onto the tube by an expansion process. The coil has two 1/2inch BSP internal connections and 1/8 inch BSP air vent and drain. The coil is not suitable for use in corrosive atmosphere or in environments where aluminium may be subject to corrosion.

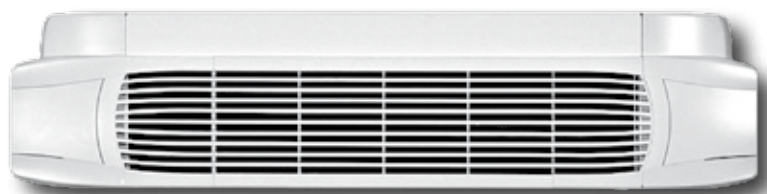
The connections are on the left side facing the unit. On request we can deliver the unit with the connections on the right end side: this must be specified on the order as this operation can not be carried out on site during installation.

Condensate collection tray

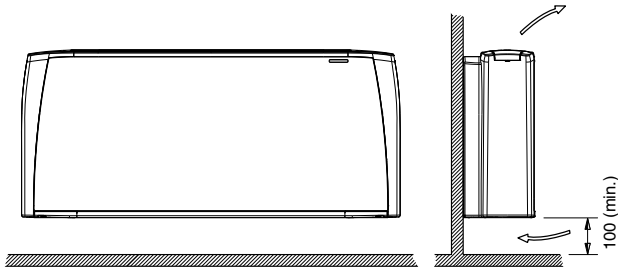
Made from plastic (ABS UL94 HB) with an "L"-shaped plastic fitted on the inner casing; in the MO-MVB and IV-IO model the tray is insulated with 3 mm polyolefin (PO) foam (class M1). The outside diameter of the condensate discharge pipe is 15mm.

Accessories and Controls

See pages 45 - 68.

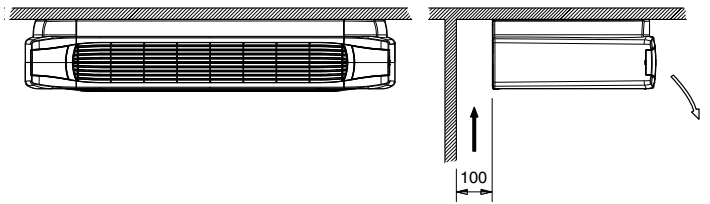


MV
Vertical Casing – Wall Installation

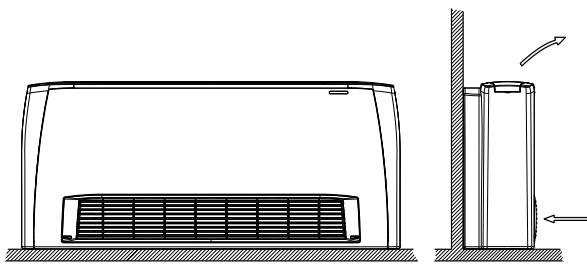


MV
Vertical Casing – Ceiling Installation

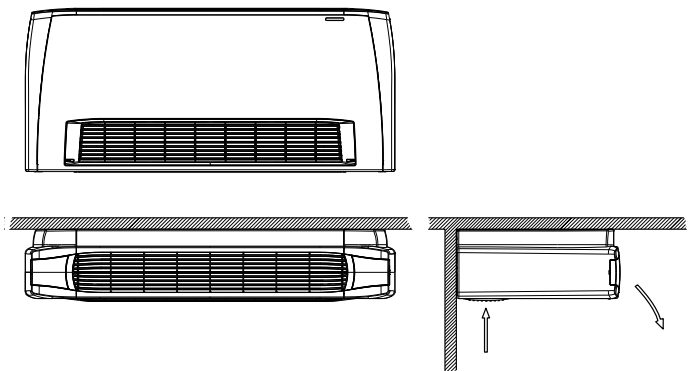
NOTE: the MV model can also be installed horizontally leaving behind a 100 mm gap for air intake.



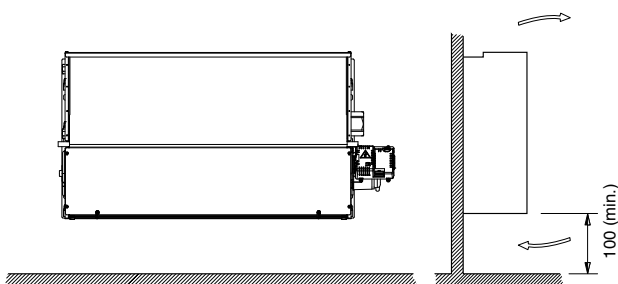
MO-MVB
Vertical Casing – Floor Installation



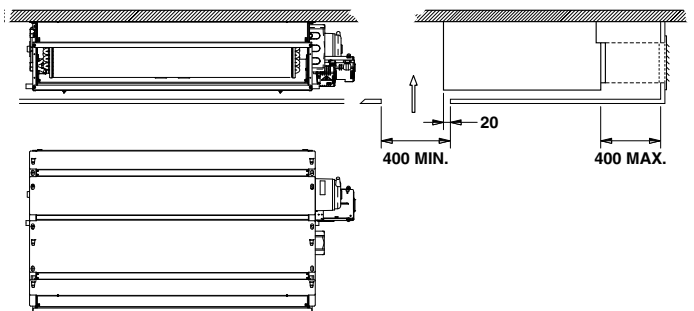
MO-MVB
Horizontal Casing



IV-IO
Vertical Concealed

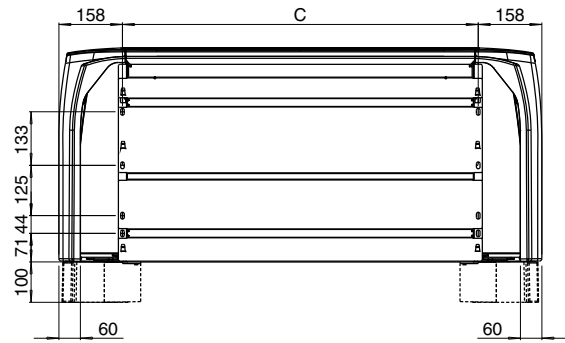
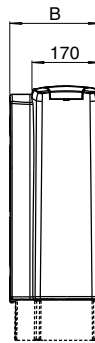
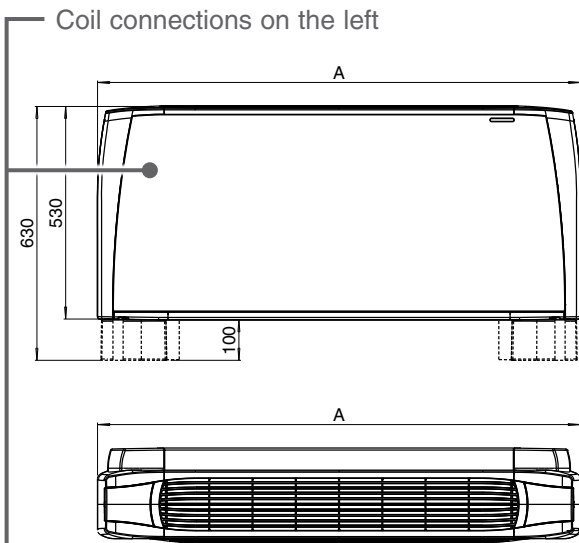


IV-IO
Horizontal Concealed



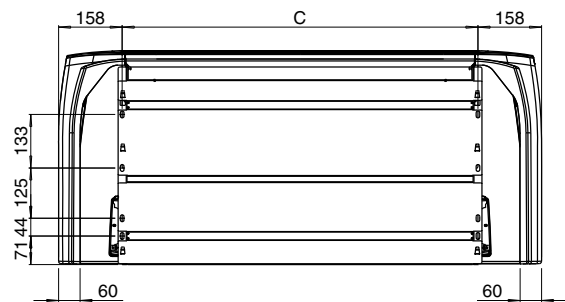
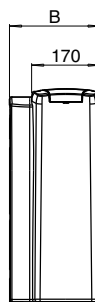
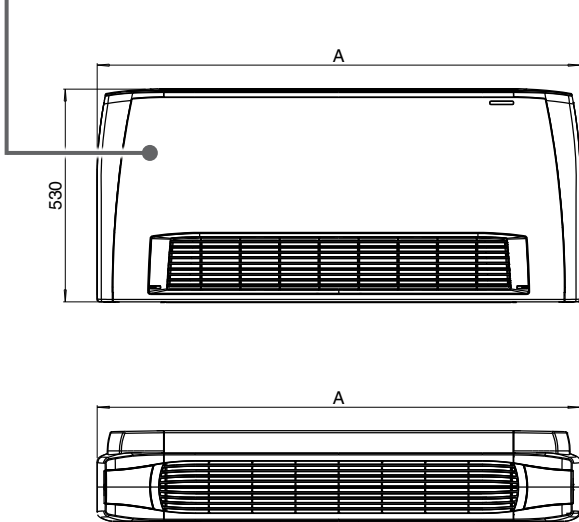
For best operation of **CRT-ECM IV-IO** units don't connect any duct on the return side and respect the minimum suggested dimension of the air intake grid.

MV



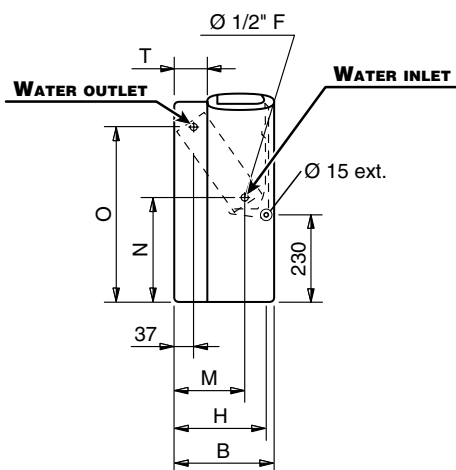
Feet (optional)

MO-MVB

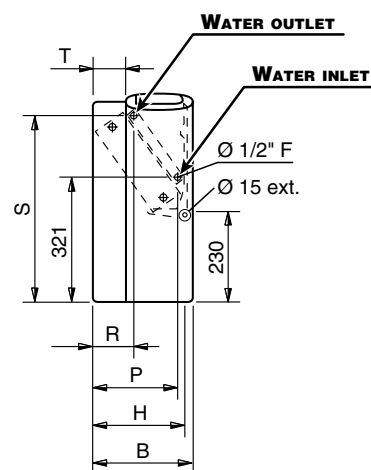


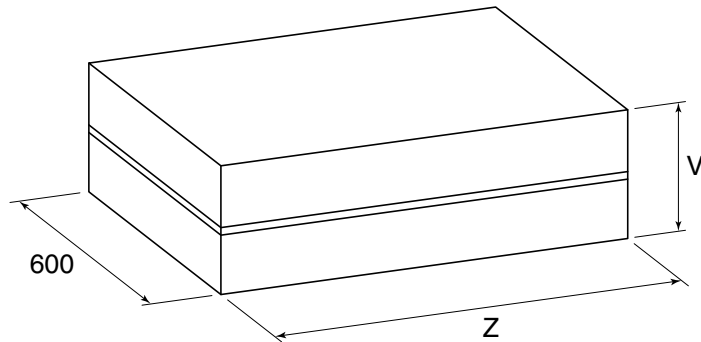
COIL CONNECTIONS

3 row coil



Heating additional coil (1 row)



PACKAGING

Dimension (mm)

MODEL	1	2	3	5	7
A	670	770	985	1200	1415
B	225	225	225	225	225
C	354	454	669	884	1099
H	205	205	205	205	205
M	145	145	145	145	145
N	260	260	260	260	260
O	460	460	460	460	460
P	185	185	185	185	185
R	105	105	105	105	105
S	475	475	475	475	475
T	55	55	55	55	55
V	260	260	260	260	260
Z	720	820	1035	1250	1465

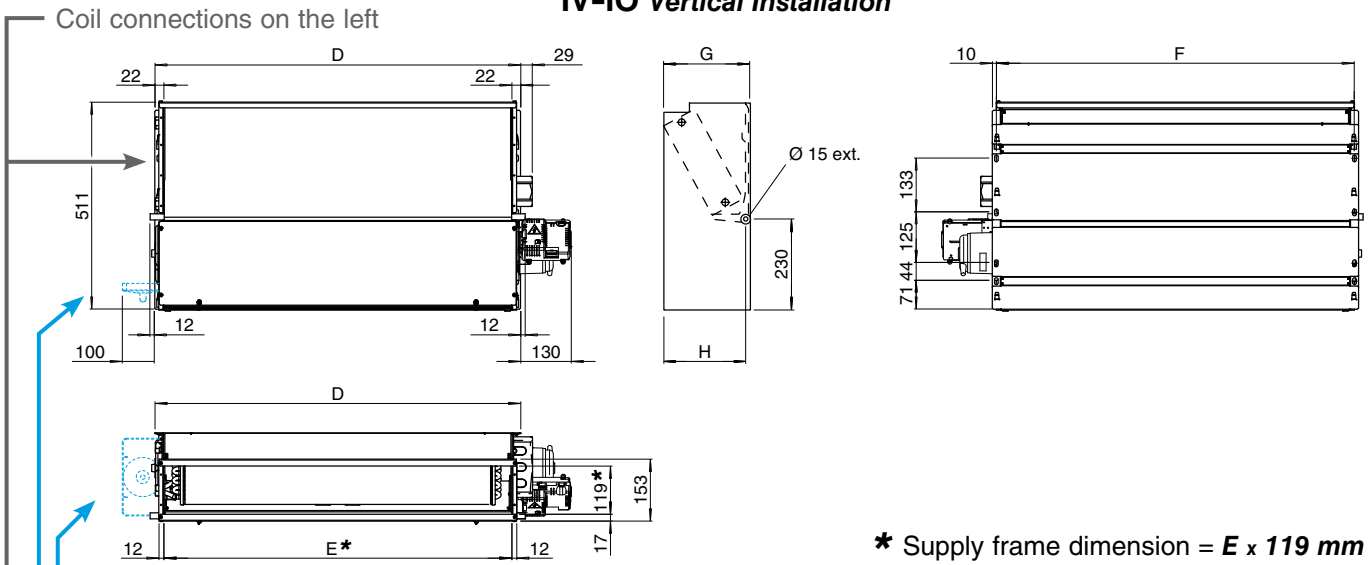
Weight (kg)

		<i>Weight with packaging</i>					<i>Weight without packaging</i>				
MODEL		1	2	3	5	7	1	2	3	5	7
Rows	3	14,8	16,2	19,6	24,2	28,7	13,2	14,4	17,3	21,4	25,4
	3+1	15,5	17,0	20,8	25,7	30,5	13,9	15,2	18,5	22,9	27,2

Water content (litres)

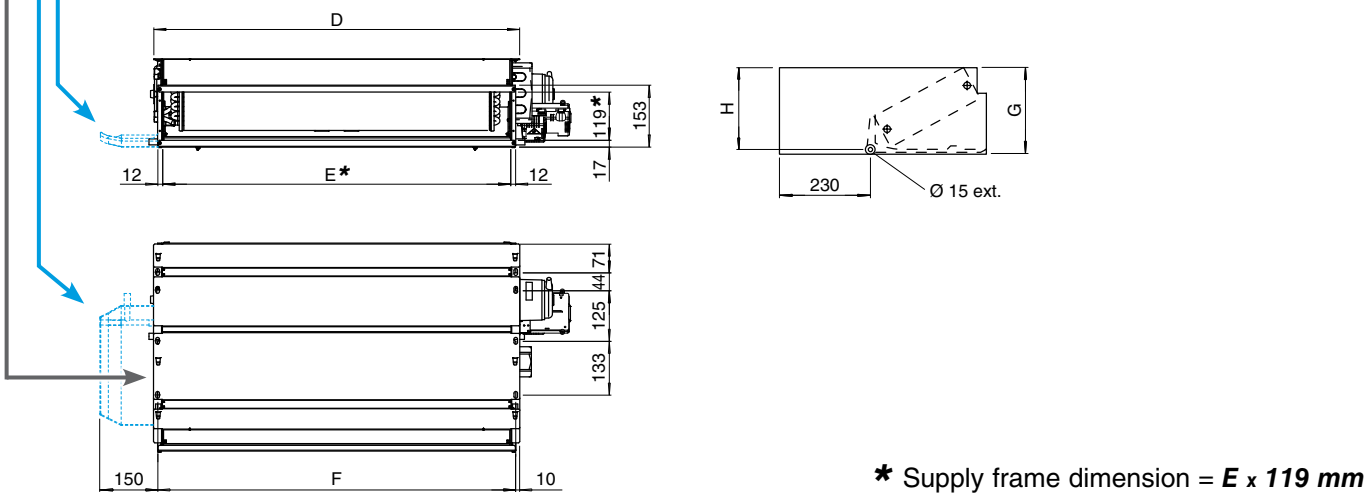
MODEL	1	2	3	5	7	
Rows	3	0,5	0,6	0,9	1,3	1,7
	3+1	0,2	0,2	0,3	0,4	0,5

IV-IO Vertical Installation



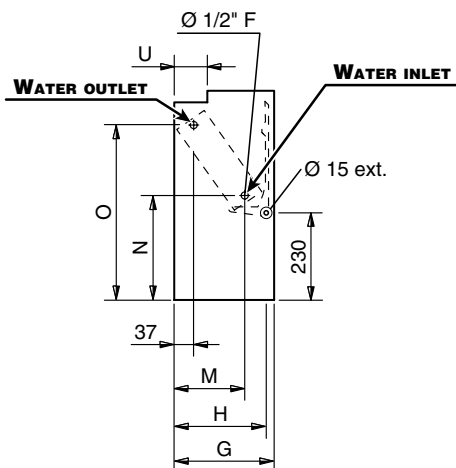
Auxiliary condensate tray (optional)

IV-IO Horizontal Installation

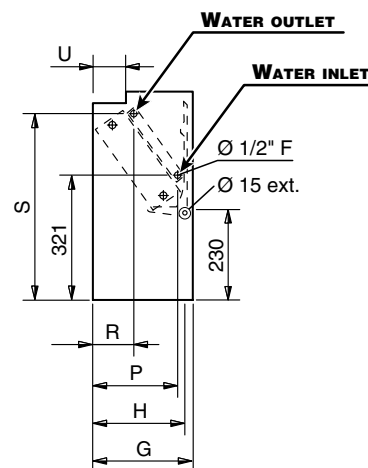


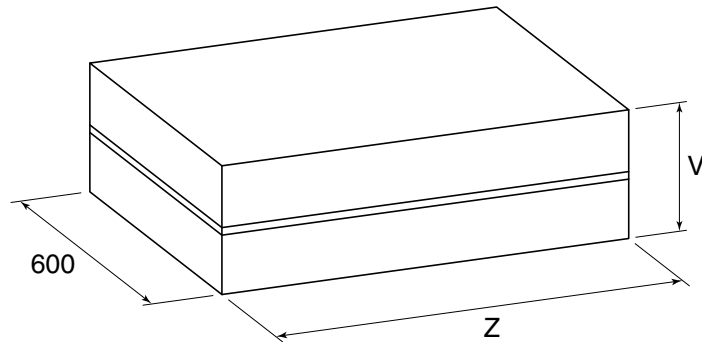
COIL CONNECTIONS

3 row coil



Heating additional coil (1 row)



PACKAGING

Dimension (mm)

MODEL	1	2	3	5	7
D	374	474	689	904	1119
E	330	430	645	860	1075
F	354	454	669	884	1099
G	218	218	218	218	218
H	205	205	205	205	205
M	145	145	145	145	145
N	260	260	260	260	260
O	460	460	460	460	460
P	185	185	185	185	185
R	105	105	105	105	105
S	475	475	475	475	475
U	65	65	65	65	65
X	260	260	260	260	260
Y	720	820	820	1035	1250

Weight (kg)

		<i>Weight with packaging</i>					<i>Weight without packaging</i>				
MODEL		1	2	3	5	7	1	2	3	5	7
Rows	3	11,5	12,6	15,3	19,2	23,6	9,9	10,8	13,5	16,9	20,8
	3+1	12,2	13,4	16,5	20,7	25,4	10,6	11,6	14,7	18,4	22,6

Water content (litres)

MODEL	1	2	3	5	7	
Rows	3	0,5	0,6	0,9	1,3	1,7
	3+1	0,2	0,2	0,3	0,4	0,5

CRT-ECM UNITS WITH 3 ROW COIL

2 pipe units.

The following standard rating conditions are used:

COOLING

Entering air temperature +27°C d.b. +19°C w.b.
 Water temperature +7°C E.W.T. +12°C L.W.T.

HEATING

Entering air temperature +20°C
 Entering water temperature +50°C

MODEL		CRT-ECM 13			CRT-ECM 23			CRT-ECM 33		
		1 (E)	5 (E)	10 (E)	1 (E)	5 (E)	10 (E)	1 (E)	5 (E)	10 (E)
Inverter power		1 (E)	5 (E)	10 (E)	1 (E)	5 (E)	10 (E)	1 (E)	5 (E)	10 (E)
Speed		MIN	MED	MAX	MIN	MED	MAX	MIN	MED	MAX
Air flow	m ³ /h	105	165	240	150	215	305	220	325	450
Cooling total emission (E)	kW	0,55	0,76	0,99	0,85	1,11	1,41	1,37	1,88	2,38
Cooling sensible emission (E)	kW	0,44	0,63	0,86	0,66	0,88	1,15	1,02	1,43	1,85
Heating (E)	kW	0,80	1,10	1,48	1,17	1,52	1,96	1,79	2,45	3,12
Dp Cooling (E)	kPa	0,8	1,4	2,2	2,1	3,4	5,2	7,4	12,9	19,7
Dp Heating (E)	kPa	0,7	1,1	1,8	1,7	2,7	4,2	6,2	10,4	16,0
Fan (E)	W	4,0	6,0	10,0	4,5	6,5	11,5	5,0	8,5	16,0
Sound power (E)	Lw dB(A)	29	39	48	36	43	49	33	42	49
Sound pressure (*)	Lp dB(A)	20	30	39	27	34	40	24	33	40

MODEL		CRT-ECM 53			CRT-ECM 73		
		1 (E)	5 (E)	10 (E)	1 (E)	5 (E)	10 (E)
Inverter power		1 (E)	5 (E)	10 (E)	1 (E)	5 (E)	10 (E)
Speed		MIN	MED	MAX	MIN	MED	MAX
Air flow	m ³ /h	295	460	675	400	630	900
Cooling total emission (E)	kW	1,83	2,62	3,49	2,48	3,57	4,67
Cooling sensible emission (E)	kW	1,37	2,01	2,74	1,85	2,73	3,65
Heating (E)	kW	2,39	3,45	4,63	3,14	4,57	6,06
Dp Cooling (E)	kPa	4,8	9,1	15,0	9,6	18,2	29,1
Dp Heating (E)	kPa	3,9	7,4	12,1	7,7	15,0	24,0
Fan (E)	W	6,0	11,5	26,0	7,0	15,0	38,0
Sound power (E)	Lw dB(A)	35	46	53	37	48	56
Sound pressure (*)	Lp dB(A)	26	37	44	28	39	47

(E) = Eurovent certified performance.

(*) = The sound pressure levels are 9 dB(A) lower than the sound power levels and apply to the reverberant field of a 100 m³ room and a reverberation time of 0.5 sec.

CRT-ECM UNITS WITH 1 ROW ADDITIONAL COIL

4 pipe units.

The following standard rating conditions are used:

COOLING

Entering air temperature +27°C d.b. +19°C w.b.
 Water temperature +7°C E.W.T. +12°C L.W.T.

HEATING

Entering air temperature +20°C
 Water temperature +70°C E.W.T. +60°C L.W.T.

MODEL		CRT-ECM 13+1			CRT-ECM 23+1			CRT-ECM 33+1		
Inverter power		1 (E)	5 (E)	10 (E)	1 (E)	5 (E)	10 (E)	1 (E)	5 (E)	10 (E)
Speed		MIN	MED	MAX	MIN	MED	MAX	MIN	MED	MAX
Air flow	m ³ /h	95	150	225	135	195	285	200	295	415
Cooling total emission (E)	kW	0,51	0,72	0,95	0,78	1,02	1,34	1,25	1,71	2,22
Cooling sensible emission (E)	kW	0,40	0,60	0,81	0,60	0,81	1,09	0,93	1,30	1,73
Heating (E)	kW	0,62	0,85	1,09	0,98	1,23	1,57	1,54	2,00	2,51
Dp Cooling (E)	kPa	0,8	1,5	2,3	1,8	2,9	4,8	6,1	10,6	16,8
Dp Heating (E)	kPa	0,7	1,1	1,8	1,7	2,5	3,9	4,9	7,8	11,6
Fan (E)	W	4,0	6,0	10,0	4,5	6,5	11,5	5,0	8,5	16,0
Sound power (E)	Lw dB(A)	31	39	48	33	43	49	33	42	49
Sound pressure (*)	Lp dB(A)	22	30	39	24	34	40	24	33	40

MODEL		CRT-ECM 53+1			CRT-ECM 73+1		
Inverter power		1 (E)	5 (E)	10 (E)	1 (E)	5 (E)	10 (E)
Speed		MIN	MED	MAX	MIN	MED	MAX
Air flow	m ³ /h	270	420	640	355	565	820
Cooling total emission (E)	kW	1,69	2,44	3,35	2,26	3,29	4,35
Cooling sensible emission (E)	kW	1,26	1,85	2,62	1,68	2,50	3,37
Heating (E)	kW	2,05	2,76	3,67	2,67	3,68	4,72
Dp Cooling (E)	kPa	4,2	8,0	14,0	8,2	15,8	25,7
Dp Heating (E)	kPa	1,6	2,7	4,4	3,0	5,2	8,1
Fan (E)	W	6,0	11,5	26,0	7,0	15,0	38,0
Sound power (E)	Lw dB(A)	35	46	53	37	48	56
Sound pressure (*)	Lp dB(A)	26	37	44	28	39	47

(E) = Eurovent certified performance.

(*) = The sound pressure levels are 9 dB(A) lower than the sound power levels and apply to the reverberant field of a 100 m³ room and a reverberation time of 0.5 sec.



Highest water inlet temperature.....+ 85 °C

Lowest water inlet temperature.....+ 6 °C

for entering water temperatures below + 6 °C, contact “**SABIANA**” technical department

Highest working pressure..... 1000 kPa (10 bars)

Note: For MO model the maximum installation height is 2,8 m.

On heating it must be payed attention to rooms where the floor temperature is particularly low (for example less than 6 °C).

In this situation the floor can cool the lower layer of air to a level that can stop the uniform diffusion of the hot air coming from the unit.

Water flow limits for 3 row coil (l/h)

MODEL	CRT-ECM 13	CRT-ECM 23	CRT-ECM 33	CRT-ECM 53	CRT-ECM 73
Lowest	100	100	100	150	150
Highest	400	500	750	1000	1500

Water flow limits for 1 row additional coil (l/h)

MODEL	CRT-ECM 13+1	CRT-ECM 23+1	CRT-ECM 33+1	CRT-ECM 53+1	CRT-ECM 73+1
Lowest	50	50	50	100	100
Highest	200	250	350	450	650

Motor electrical data (max. absorption)

MODEL		CRT-ECM 1	CRT-ECM 2	CRT-ECM 3	CRT-ECM 5	CRT-ECM 7
230/1	W	10,0	11,5	16,0	26,0	38,0
	A	0,094	0,106	0,138	0,222	0,305

Cooling emission of 3 row coil

Entering air temperature: 27°C – R.H.: 50%

MODEL ECM	Vdc	WT: 7/12 °C					WT: 8/13 °C					WT: 10/15 °C					WT: 12/17 °C				
		Qv m ³ /h	Pc kW	Ps kW	Qw l/h	Dp(c) kPa	Pc kW	Ps kW	Qw l/h	Dp(c) kPa	Pc kW	Ps kW	Qw l/h	Dp(c) kPa	Pc kW	Ps kW	Qw l/h	Dp(c) kPa			
CRT 13	10	240	1,08	0,85	186	2,5	0,95	0,80	163	2,0	0,71	0,71	122	1,2	0,60	0,60	103	0,9			
	5	165	0,82	0,62	141	1,6	0,73	0,59	126	1,3	0,52	0,51	89	0,7	0,44	0,44	76	0,5			
	1	105	0,60	0,44	103	0,9	0,53	0,41	91	0,7	0,39	0,36	67	0,4	0,31	0,31	53	0,3			
CRT 23	10	305	1,53	1,15	263	6,0	1,36	1,08	234	4,8	0,99	0,94	170	2,7	0,82	0,82	141	1,9			
	5	215	1,20	0,88	206	3,9	1,07	0,83	184	3,2	0,79	0,72	136	1,8	0,63	0,63	108	1,2			
	1	150	0,92	0,66	158	2,4	0,82	0,62	141	2,0	0,61	0,54	105	1,2	0,47	0,47	81	0,7			
CRT 33	10	450	2,56	1,84	440	22,4	2,30	1,73	396	18,3	1,74	1,52	299	11,1	1,33	1,33	229	6,8			
	5	325	2,02	1,42	347	14,7	1,81	1,34	311	12,1	1,38	1,17	237	7,3	1,03	1,03	177	4,3			
	1	220	1,47	1,02	253	8,5	1,33	0,96	229	7,0	1,01	0,84	174	4,3	0,74	0,74	127	2,4			
CRT 53	10	675	3,76	2,73	647	17,1	3,36	2,57	578	14,0	2,53	2,25	435	8,4	1,97	1,97	339	5,3			
	5	460	2,82	2,00	485	10,3	2,53	1,88	435	8,5	1,92	1,64	330	5,1	1,44	1,44	248	3,1			
	1	295	1,96	1,36	337	5,5	1,77	1,28	304	4,5	1,35	1,12	232	2,8	0,99	0,99	170	1,6			
CRT 73	10	900	5,02	3,63	863	33,1	4,50	3,42	774	27,1	3,41	2,99	587	16,4	2,63	2,63	452	10,3			
	5	630	3,84	2,71	660	20,7	3,45	2,55	593	17,0	2,63	2,23	452	10,4	1,96	1,96	337	6,1			
	1	400	2,67	1,85	459	10,9	2,40	1,74	413	9,0	1,84	1,51	316	5,6	1,34	1,34	230	3,1			

LEGEND

- WT = Water temperature
- Pc = Cooling total emission
- Ps = Cooling sensible emission
- Qw = Water flow
- Dp(c) = Water pressure drop
- Vdc = Inverter Power
- Qv = Air flow



Cooling emission of 3 row coil

Entering air temperature: 26°C – R.H.: 50%

MODEL ECM	Vdc	WT: 7/12 °C					WT: 8/13 °C				WT: 10/15 °C				WT: 12/17 °C			
		Qv m³/h	Pc kW	Ps kW	Qw l/h	Dp(c) kPa	Pc kW	Ps kW	Qw l/h	Dp(c) kPa	Pc kW	Ps kW	Qw l/h	Dp(c) kPa	Pc kW	Ps kW	Qw l/h	Dp(c) kPa
CRT 13	10	240	0,94	0,80	162	2,0	0,81	0,75	139	1,5	0,65	0,65	112	1,0	0,54	0,54	93	0,7
	5	165	0,72	0,59	124	1,3	0,63	0,55	108	1,0	0,48	0,48	83	0,6	0,40	0,40	69	0,4
	1	105	0,53	0,41	91	0,7	0,46	0,38	79	0,6	0,34	0,34	58	0,3	0,29	0,29	50	0,2
CRT 23	10	305	1,35	1,08	232	4,8	1,18	1,01	203	3,8	0,90	0,90	155	2,3	0,75	0,75	129	1,6
	5	215	1,06	0,83	182	3,2	0,93	0,77	160	2,5	0,69	0,69	119	1,4	0,57	0,57	98	1,0
	1	150	0,81	0,62	139	2,0	0,71	0,58	122	1,6	0,50	0,49	86	0,8	0,43	0,43	74	0,6
CRT 33	10	450	2,29	1,74	394	18,3	2,02	1,63	347	14,6	1,45	1,41	249	8,0	1,22	1,22	210	5,8
	5	325	1,80	1,34	310	12,0	1,59	1,26	273	9,6	1,15	1,08	198	5,3	0,94	0,94	162	3,7
	1	220	1,32	0,96	227	6,9	1,17	0,90	201	5,6	0,85	0,78	146	3,2	0,68	0,68	117	2,1
CRT 53	10	675	3,35	2,57	576	13,9	2,95	2,41	507	11,1	2,10	2,08	361	6,0	1,80	1,80	310	4,5
	5	460	2,52	1,89	433	8,4	2,23	1,77	384	6,8	1,60	1,52	275	3,7	1,32	1,32	227	2,6
	1	295	1,76	1,28	303	4,5	1,56	1,20	268	3,6	1,13	1,03	194	2,0	0,90	0,90	155	1,3
CRT 73	10	900	4,48	3,42	771	27,1	3,96	3,21	681	21,7	2,84	2,78	488	11,9	2,41	2,41	415	8,8
	5	630	3,43	2,56	590	17,0	3,04	2,40	523	13,6	2,20	2,07	378	7,6	1,80	1,80	310	5,3
	1	400	2,39	1,74	411	8,9	2,12	1,63	365	7,2	1,55	1,40	267	4,1	1,23	1,23	212	2,7

LEGEND

- WT = Water temperature
- Pc = Cooling total emission
- Ps = Cooling sensible emission
- Qw = Water flow
- Dp(c) = Water pressure drop
- Vdc = Inverter Power
- Qv = Air flow

Cooling emission of 3 row coil

Entering air temperature: 25°C – R.H.: 50%

MODEL ECM	Vdc	WT: 7/12 °C					WT: 8/13 °C					WT: 10/15 °C					WT: 12/17 °C				
		Qv m ³ /h	Pc kW	Ps kW	Qw l/h	Dp(c) kPa	Pc kW	Ps kW	Qw l/h	Dp(c) kPa	Pc kW	Ps kW	Qw l/h	Dp(c) kPa	Pc kW	Ps kW	Qw l/h	Dp(c) kPa			
CRT 13	10	240	0,82	0,75	141	1,6	0,71	0,71	122	1,2	0,60	0,60	103	0,9	0,49	0,49	84	0,6			
	5	165	0,63	0,55	108	1,0	0,53	0,51	91	0,7	0,44	0,44	76	0,5	0,36	0,36	62	0,4			
	1	105	0,46	0,38	79	0,6	0,39	0,36	67	0,4	0,31	0,31	53	0,3	0,26	0,26	45	0,2			
CRT 23	10	305	1,18	1,01	203	3,8	1,01	0,94	174	2,8	0,82	0,82	141	2,0	0,67	0,67	115	1,4			
	5	215	0,93	0,77	160	2,5	0,80	0,72	138	1,9	0,63	0,63	108	1,2	0,52	0,52	89	0,9			
	1	150	0,71	0,58	122	1,6	0,61	0,54	105	1,2	0,47	0,47	81	0,7	0,39	0,39	67	0,5			
CRT 33	10	450	2,02	1,63	347	14,7	1,75	1,52	301	11,3	1,34	1,34	230	7,0	1,10	1,10	189	4,9			
	5	325	1,59	1,26	273	9,6	1,38	1,17	237	7,5	1,03	1,03	177	4,4	0,85	0,85	146	3,1			
	1	220	1,17	0,90	201	5,6	1,02	0,84	175	4,4	0,74	0,74	127	2,5	0,61	0,61	105	1,8			
CRT 53	10	675	2,95	2,42	507	11,1	2,55	2,26	439	8,6	1,98	1,98	341	5,4	1,63	1,63	280	3,8			
	5	460	2,22	1,77	382	6,8	1,93	1,65	332	5,2	1,45	1,45	249	3,1	1,20	1,20	206	2,2			
	1	295	1,55	1,20	267	3,6	1,35	1,12	232	2,8	0,99	0,99	170	1,6	0,82	0,82	141	1,1			
CRT 73	10	900	3,95	3,22	679	21,8	3,43	3,01	590	16,8	2,64	2,64	454	10,5	2,18	2,18	375	7,4			
	5	630	3,03	2,40	521	13,6	2,64	2,24	454	10,6	1,97	1,97	339	6,3	1,63	1,63	280	4,4			
	1	400	2,11	1,63	363	7,2	1,84	1,52	316	5,6	1,34	1,34	230	3,2	1,11	1,11	191	2,3			

LEGEND

- WT** = Water temperature
- Pc** = Cooling total emission
- Ps** = Cooling sensible emission
- Qw** = Water flow
- Dp(c)** = Water pressure drop
- Vdc** = Inverter Power
- Qv** = Air flow



Cooling emission of 3+1 row coil

Entering air temperature: 27°C – R.H.: 50%

MODEL ECM	Vdc	WT: 7/12 °C					WT: 8/13 °C					WT: 10/15 °C					WT: 12/17 °C				
		Qv m³/h	Pc kW	Ps kW	Qw l/h	Dp(c) kPa	Pc kW	Ps kW	Qw l/h	Dp(c) kPa	Pc kW	Ps kW	Qw l/h	Dp(c) kPa	Pc kW	Ps kW	Qw l/h	Dp(c) kPa			
CRT 13+1	10	225	1,03	0,81	177	2,4	0,91	0,76	157	1,9	0,68	0,68	117	1,1	0,57	0,57	98	0,8			
	5	150	0,78	0,59	134	1,5	0,69	0,56	119	1,2	0,50	0,48	86	0,6	0,42	0,42	72	0,5			
	1	95	0,55	0,40	95	0,8	0,49	0,38	84	0,6	0,36	0,33	62	0,4	0,29	0,29	50	0,2			
CRT 23+1	10	285	1,45	1,08	249	5,5	1,29	1,02	222	4,4	0,95	0,89	163	2,5	0,78	0,78	134	1,8			
	5	195	1,10	0,80	189	3,4	0,98	0,75	169	2,7	0,73	0,66	126	1,6	0,58	0,58	100	1,0			
	1	135	0,84	0,60	144	2,1	0,75	0,56	129	1,7	0,56	0,49	96	1,0	0,43	0,43	74	0,6			
CRT 33+1	10	415	2,39	1,72	411	19,1	2,14	1,62	368	15,6	1,62	1,41	279	9,4	1,24	1,24	213	5,8			
	5	295	1,84	1,29	316	12,0	1,65	1,22	284	9,9	1,25	1,06	215	6,0	0,93	0,93	160	3,5			
	1	200	1,34	0,93	230	6,9	1,21	0,87	208	5,7	0,92	0,76	158	3,5	0,67	0,67	115	2,0			
CRT 53+1	10	640	3,61	2,61	621	15,9	3,23	2,46	556	13,0	2,44	2,15	420	7,8	1,89	1,89	325	4,9			
	5	420	2,62	1,85	451	9,1	2,35	1,74	404	7,4	1,78	1,52	306	4,5	1,33	1,33	229	2,7			
	1	270	1,82	1,26	313	4,8	1,64	1,18	282	3,9	1,25	1,03	215	2,4	0,91	0,91	157	1,4			
CRT 73+1	10	820	4,68	3,36	805	29,2	4,20	3,16	722	24,0	3,18	2,77	547	14,6	2,43	2,43	418	9,0			
	5	565	3,54	2,49	609	17,9	3,18	2,34	547	14,7	2,43	2,04	418	9,0	1,80	1,80	310	5,3			
	1	355	2,43	1,68	418	9,3	2,19	1,58	377	7,7	1,68	1,37	289	4,7	1,21	1,21	208	2,6			

LEGEND

- WT = Water temperature
- Pc = Cooling total emission
- Ps = Cooling sensible emission
- Qw = Water flow
- Dp(c) = Water pressure drop
- Vdc = Inverter Power
- Qv = Air flow

Cooling emission of 3+1 row coil

Entering air temperature: 26°C – R.H.: 50%

MODEL ECM	Vdc	WT: 7/12 °C					WT: 8/13 °C					WT: 10/15 °C					WT: 12/17 °C				
		Qv	Pc	Ps	Qw	Dp(c)	Pc	Ps	Qw	Dp(c)	Pc	Ps	Qw	Dp(c)	Pc	Ps	Qw	Dp(c)			
		m ³ /h	kW	kW	l/h	kPa	kW	kW	l/h	kPa	kW	kW	l/h	kPa	kW	kW	l/h	kPa			
CRT 13+1	10	225	0,90	0,76	155	1,9	0,78	0,71	134	1,4	0,62	0,62	107	1,0	0,52	0,52	89	0,7			
	5	150	0,69	0,56	119	1,2	0,60	0,52	103	0,9	0,46	0,46	79	0,6	0,38	0,38	65	0,4			
	1	95	0,49	0,38	84	0,6	0,42	0,35	72	0,5	0,31	0,31	53	0,3	0,26	0,26	45	0,2			
CRT 23+1	10	285	1,29	1,02	222	4,4	1,12	0,96	193	3,5	0,85	0,85	146	2,1	0,71	0,71	122	1,5			
	5	195	0,98	0,75	169	2,7	0,86	0,71	148	2,2	0,63	0,63	108	1,2	0,52	0,52	89	0,9			
	1	135	0,75	0,56	129	1,7	0,66	0,53	114	1,3	0,46	0,45	79	0,7	0,39	0,39	67	0,5			
CRT 33+1	10	415	2,13	1,62	366	15,6	1,88	1,52	323	12,4	1,35	1,31	232	6,8	1,14	1,14	196	5,0			
	5	295	1,64	1,22	282	9,8	1,45	1,14	249	7,9	1,05	0,98	181	4,4	0,85	0,85	146	3,0			
	1	200	1,20	0,88	206	5,7	1,06	0,82	182	4,6	0,78	0,71	134	2,6	0,62	0,62	107	1,7			
CRT 53+1	10	640	3,22	2,46	554	13,0	2,84	2,31	488	10,3	2,02	1,99	347	5,6	1,72	1,72	296	4,2			
	5	420	2,34	1,74	402	7,4	2,07	1,63	356	5,9	1,49	1,40	256	3,3	1,22	1,22	210	2,3			
	1	270	1,62	1,18	279	3,9	1,44	1,11	248	3,1	1,05	0,95	181	1,8	0,83	0,83	143	1,2			
CRT 73+1	10	820	4,18	3,17	719	23,9	3,69	2,97	635	19,2	2,65	2,57	456	10,6	2,23	2,23	384	7,7			
	5	565	3,16	2,35	544	14,7	2,80	2,20	482	11,8	2,03	1,89	349	6,6	1,65	1,65	284	4,5			
	1	355	2,18	1,58	375	7,6	1,94	1,48	334	6,1	1,42	1,27	244	3,5	1,11	1,11	191	2,3			

LEGEND

- WT = Water temperature
- Pc = Cooling total emission
- Ps = Cooling sensible emission
- Qw = Water flow
- Dp(c) = Water pressure drop
- Vdc = Inverter Power
- Qv = Air flow

Cooling emission of 3+1 row coil

Entering air temperature: 25°C – R.H.: 50%

MODEL ECM	Vdc	WT: 7/12 °C					WT: 8/13 °C					WT: 10/15 °C					WT: 12/17 °C				
		Qv	Pc	Ps	Qw	Dp(c)	Pc	Ps	Qw	Dp(c)	Pc	Ps	Qw	Dp(c)	Pc	Ps	Qw	Dp(c)			
		m³/h	kW	kW	l/h	kPa	kW	kW	l/h	kPa	kW	kW	l/h	kPa	kW	kW	l/h	kPa			
CRT 13+1	10	225	0,78	0,71	134	1,4	0,67	0,67	115	1,1	0,57	0,57	98	0,8	0,46	0,46	79	0,6			
	5	150	0,60	0,52	103	0,9	0,51	0,48	88	0,7	0,42	0,42	72	0,5	0,34	0,34	58	0,3			
	1	95	0,42	0,35	72	0,5	0,36	0,33	62	0,4	0,29	0,29	50	0,2	0,24	0,24	41	0,2			
CRT 23+1	10	285	1,12	0,96	193	3,5	0,96	0,89	165	2,6	0,78	0,78	134	1,8	0,64	0,64	110	1,2			
	5	195	0,86	0,71	148	2,2	0,74	0,66	127	1,6	0,58	0,58	100	1,0	0,47	0,47	81	0,7			
	1	135	0,66	0,53	114	1,3	0,56	0,49	96	1,0	0,43	0,43	74	0,6	0,36	0,36	62	0,4			
CRT 33+1	10	415	1,88	1,52	323	12,5	1,63	1,42	280	9,6	1,24	1,24	213	5,9	1,03	1,03	177	4,2			
	5	295	1,45	1,14	249	7,9	1,26	1,07	217	6,1	0,94	0,94	162	3,6	0,77	0,77	132	2,5			
	1	200	1,06	0,82	182	4,6	0,92	0,76	158	3,6	0,67	0,67	115	2,0	0,56	0,56	96	1,4			
CRT 53+1	10	640	2,83	2,31	487	10,4	2,45	2,16	421	8,0	1,89	1,89	325	5,0	1,56	1,56	268	3,5			
	5	420	2,06	1,63	354	5,9	1,79	1,52	308	4,6	1,34	1,34	230	2,7	1,11	1,11	191	1,9			
	1	270	1,44	1,11	248	3,1	1,25	1,03	215	2,4	0,91	0,91	157	1,4	0,75	0,75	129	1,0			
CRT 73+1	10	820	3,69	2,98	635	19,2	3,20	2,78	550	14,9	2,44	2,44	420	9,1	2,02	2,02	347	6,4			
	5	565	2,80	2,20	482	11,8	2,43	2,05	418	9,2	1,80	1,80	310	5,4	1,49	1,49	256	3,8			
	1	355	1,93	1,48	332	6,1	1,68	1,38	289	4,8	1,22	1,22	210	2,7	1,01	1,01	174	1,9			

LEGEND

- WT = Water temperature
- Pc = Cooling total emission
- Ps = Cooling sensible emission
- Qw = Water flow
- Dp(c) = Water pressure drop
- Vdc = Inverter Power
- Qv = Air flow

Heating emission of 3 row coil

Entering air temperature: 20°C

		WT: 70/60 °C				WT: 60/50 °C			WT: 50/40 °C			WT: 50/45 °C			WT: 45/40 °C		
MODEL ECM	Vdc	Qv	Ph	Qw	Dp(c)	Ph	Qw	Dp(c)	Ph	Qw	Dp(c)	Ph	Qw	Dp(c)	Ph	Qw	Dp(c)
		m ³ /h	kW	l/h	kPa	kW	l/h	kPa	kW	l/h	kPa	kW	l/h	kPa	kW	l/h	kPa
CRT 13	10	240	2,63	226	2,8	1,99	171	1,8	1,35	116	0,9	1,61	277	4,2	1,29	222	2,9
	5	165	1,95	168	1,7	1,48	127	1,1	1,01	87	0,6	1,19	205	2,5	0,96	165	1,7
	1	105	1,39	120	0,9	1,06	91	0,6	0,73	63	0,3	0,85	146	1,4	0,69	119	1,0
CRT 23	10	305	3,41	293	5,6	2,59	223	3,6	1,78	153	1,9	2,08	358	8,4	1,68	289	5,9
	5	215	2,63	226	3,6	2,01	173	2,3	1,39	120	1,2	1,61	277	5,4	1,30	224	3,8
	1	150	2,01	173	2,2	1,54	132	1,4	1,07	92	0,8	1,23	212	3,4	1,00	172	2,4
CRT 33	10	450	5,32	458	18,6	4,08	351	12,0	2,84	244	6,6	3,25	559	27,9	2,64	454	19,6
	5	325	4,17	359	12,1	3,20	275	7,8	2,23	192	4,3	2,54	437	18,1	2,07	356	12,8
	1	220	3,05	262	7,0	2,34	201	4,5	1,64	141	2,5	1,86	320	10,5	1,51	260	7,4
CRT 53	10	675	7,92	681	14,6	6,07	522	9,4	4,21	362	5,1	4,83	831	21,9	3,92	674	15,4
	5	460	5,88	506	8,6	4,51	388	5,6	3,14	270	3,0	3,59	617	12,9	2,91	501	9,1
	1	295	4,07	350	4,5	3,13	269	2,9	2,19	188	1,6	2,49	428	6,8	2,02	347	4,8
CRT 73	10	900	10,31	887	27,0	7,91	680	17,4	5,51	474	9,6	6,29	1082	40,5	5,11	879	28,5
	5	630	7,74	666	16,3	5,95	512	10,6	4,15	357	5,8	4,73	814	24,5	3,84	660	17,3
	1	400	5,31	457	8,4	4,09	352	5,5	2,86	246	3,0	3,24	557	12,6	2,64	454	8,9

LEGEND

WT = Water temperature
 Ph = Emission
 Qw = Water flow
 Dp(c) = Water pressure drop
 Vdc = Inverter Power
 Qv = Air flow



Heating emission of 3+1 row coil

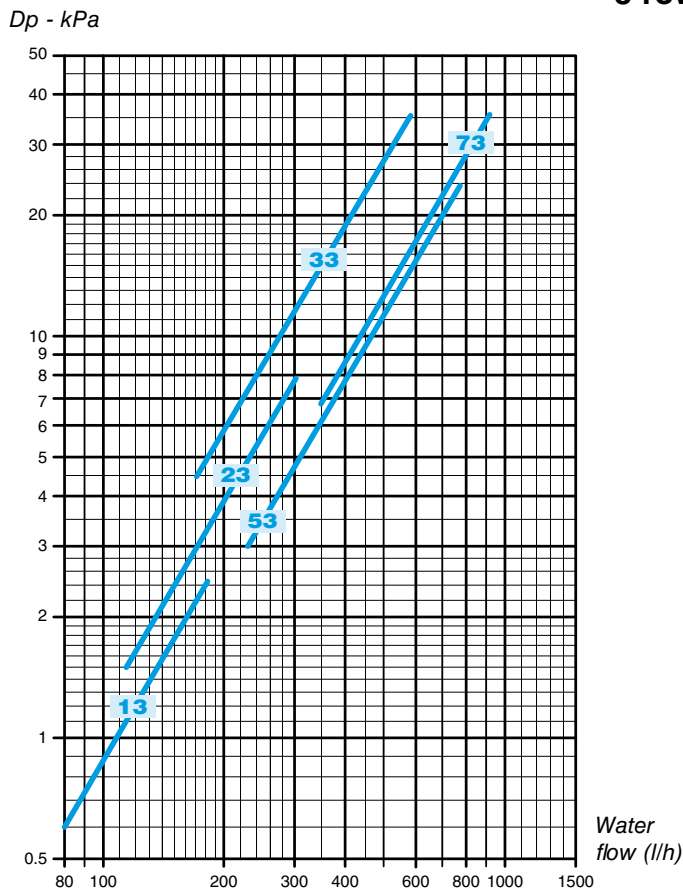
Entering air temperature: 20°C

MODEL ECM	Vdc	WT: 80/70 °C			WT: 75/65 °C			WT: 70/60 °C			WT: 65/55 °C			WT: 60/50 °C			WT: 55/45 °C			
		Qv m³/h	Ph kW	Qw l/h	Dp(c) kPa	Ph kW	Qw l/h	Dp(c) kPa	Ph kW	Qw l/h	Dp(c) kPa	Ph kW	Qw l/h	Dp(c) kPa	Ph kW	Qw l/h	Dp(c) kPa	Ph kW	Qw l/h	Dp(c) kPa
CRT 13+1	10	225	1,38	119	2,6	1,24	107	2,2	1,09	94	1,8	0,95	82	1,4	0,80	69	1,1	0,66	57	0,8
	5	150	1,07	92	1,7	0,96	83	1,4	0,85	73	1,1	0,74	64	0,9	0,63	54	0,7	0,52	45	0,5
	1	95	0,78	67	1,0	0,70	60	0,8	0,62	53	0,7	0,54	46	0,5	0,46	40	0,4	0,38	33	0,3
CRT 23+1	10	285	1,97	169	5,7	1,77	152	4,8	1,57	135	3,9	1,37	118	3,1	1,18	101	2,4	0,98	84	1,8
	5	195	1,54	132	3,7	1,38	119	3,1	1,23	106	2,5	1,07	92	2,0	0,92	79	1,6	0,77	66	1,2
	1	135	1,22	105	2,5	1,10	95	2,1	0,98	84	1,7	0,86	74	1,4	0,73	63	1,1	0,61	52	0,8
CRT 33+1	10	415	3,13	269	16,6	2,82	243	14,1	2,51	216	11,6	2,21	190	9,4	1,90	163	7,4	1,60	138	5,5
	5	295	2,49	214	11,1	2,24	193	9,4	2,00	172	7,8	1,76	151	6,3	1,52	131	4,9	1,27	109	3,7
	1	200	1,91	164	7,0	1,73	149	5,9	1,54	132	4,9	1,35	116	4,0	1,17	101	3,1	0,98	84	2,3
CRT 53+1	10	640	4,59	395	6,4	4,13	355	5,4	3,67	316	4,4	3,21	276	3,6	2,75	237	2,8	2,30	198	2,0
	5	420	3,45	297	3,9	3,11	267	3,3	2,76	237	2,7	2,42	208	2,2	2,08	179	1,7	1,73	149	1,2
	1	270	2,55	219	2,3	2,30	198	1,9	2,05	176	1,6	1,79	154	1,3	1,54	132	1,0	1,29	111	0,7
CRT 73+1	10	820	5,88	506	11,6	5,30	456	9,8	4,72	406	8,1	4,14	356	6,5	3,56	306	5,1	2,99	257	3,8
	5	565	4,58	394	7,5	4,13	355	6,3	3,68	316	5,2	3,23	278	4,2	2,78	239	3,3	2,33	200	2,5
	1	355	3,32	286	4,2	2,99	257	3,6	2,67	230	3,0	2,34	201	2,4	2,02	174	1,9	1,70	146	1,4

LEGEND

- WT = Water temperature
- Ph = Emission
- Qw = Water flow
- Dp(c) = Water pressure drop
- Vdc = Inverter Power
- Qv = Air flow

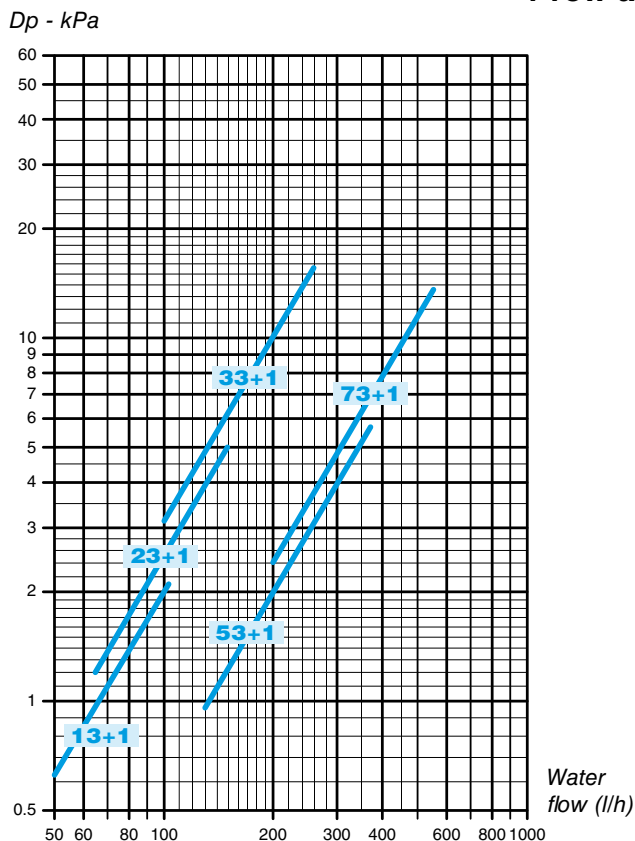
3 row coil



The water pressure drop figures refer to a mean water temperature of **10°C**; for different temperatures, multiply the pressure drop figures by the correction factors **K**.

°C	20	30	40	50	60	70	80
K	0,94	0,90	0,86	0,82	0,78	0,74	0,70

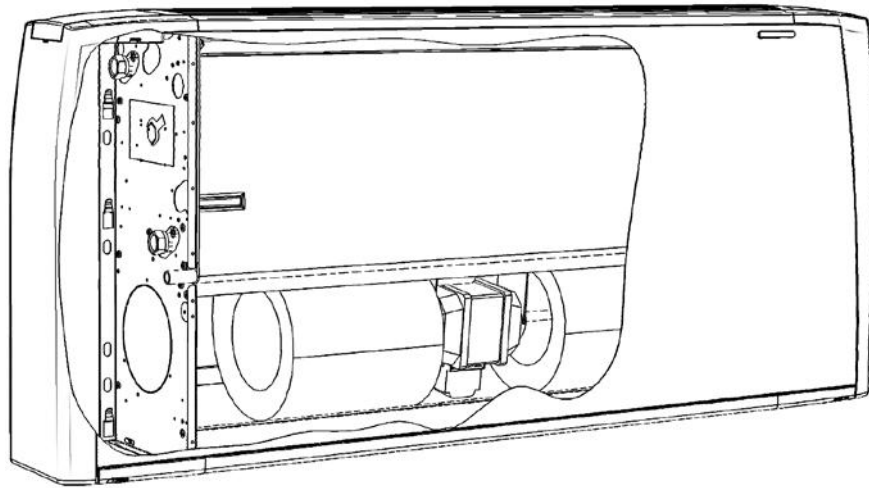
1 row additional coil



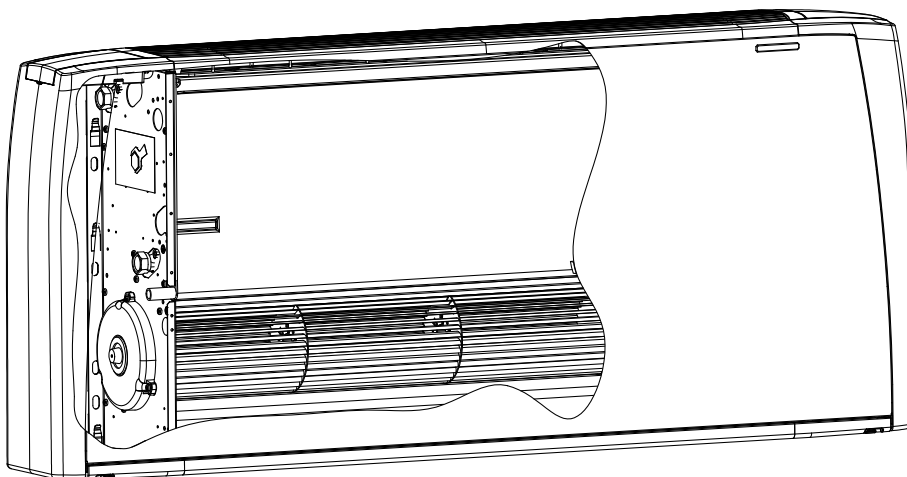
The water pressure drop figures refer to a mean water temperature of **65°C**; for different temperatures, multiply the pressure drop figures by the correction factors **K**.

°C	40	50	60	70	80
K	1,14	1,08	1,02	0,96	0,90

CRC-ECM version with centrifugal fan

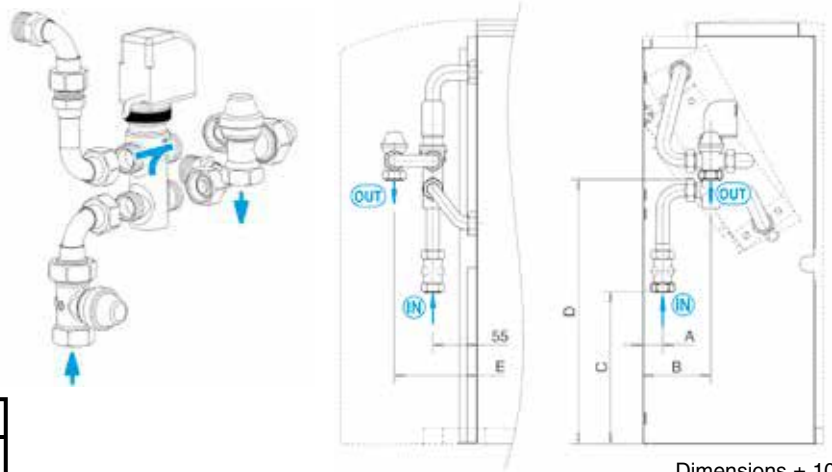


CRT-ECM version with tangential fan



VBP main coil 3 way valve

Control valve kit:
3 way valve, ON-OFF,
with electric motor and mounting kit
with micrometric lockshield valve.



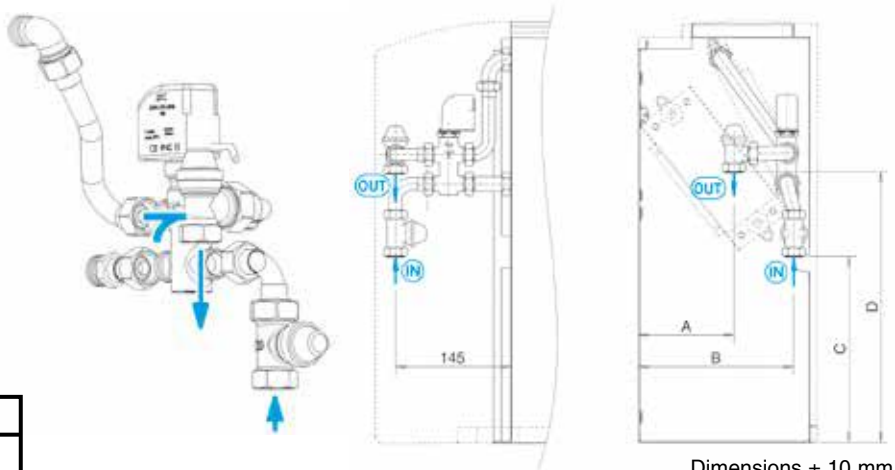
Dimensions ± 10 mm

VERSION	CRC-ECM / CRT-ECM
MODEL	MV - MO - MVB - IV - IO

Mod.	Dimensions (mm)					Valve			Micrometric lockshield valve			Code	
	A	B	C	D	E	DN	(Ø)	Kvs	DN	(Ø)	Kvs	FITTED	NOT FITTED
1 ÷ 5	25	85	190	290	105	15	1/2"	1,6	15	1/2" F	2	9066561H	9066560H
6 - 7	25	85	190	290	105	20	3/4"	2,5	15	1/2" F	2	9060471H	9060474H
9	50	120	185	290	105	20	3/4"	2,5	15	1/2" F	2	9060471H	9060474H

VBA additional coil 3 way valve

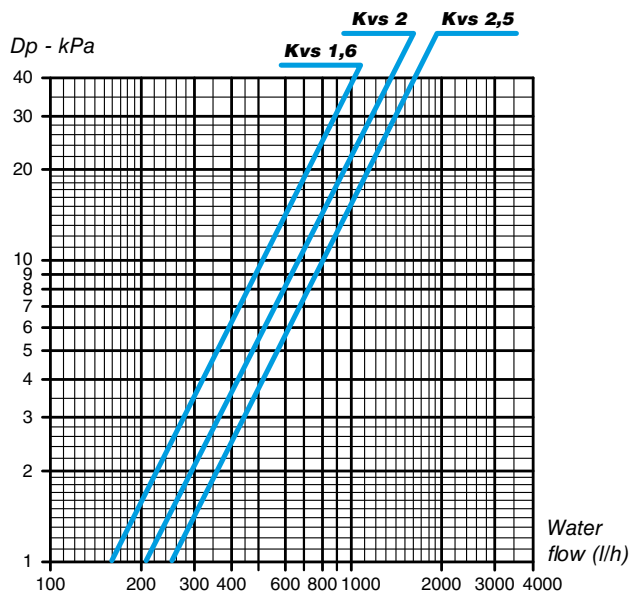
Control valve kit:
3 way valve, ON-OFF,
with electric motor and mounting kit
with micrometric lockshield valve.



Dimensions ± 10 mm

VERSION	CRC-ECM / CRT-ECM
MODEL	MV - MO - MVB - IV - IO

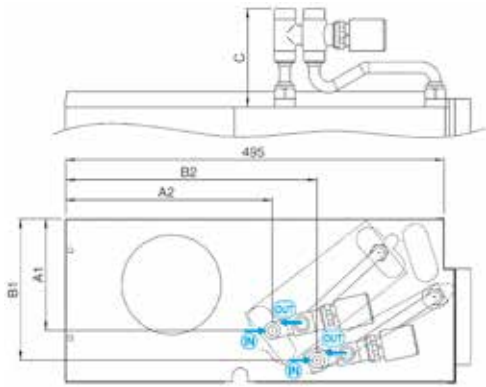
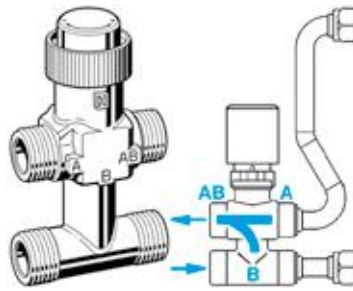
Mod.	Dimensions (mm)				Valve			Micrometric lockshield valve			Code	
	A	B	C	D	DN	(Ø)	Kvs	DN	(Ø)	Kvs	FITTED	NOT FITTED
1 ÷ 7	120	195	240	340	15	1/2"	1,6	15	1/2" F	2	9060472H	9060475H
9	135	200	235	330	15	1/2"	1,6	15	1/2" F	2	9060472H	9060475H





VS
simplified kit for 3 way valve
(concealed model only)

3 way valve, (ON-OFF)
with electric motor and mounting kit.
Valve with flat connection
without micrometric lockshield valve.



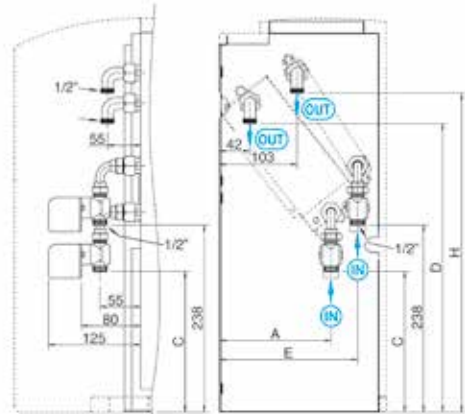
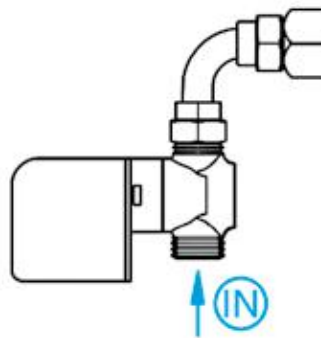
Dimensions ± 10 mm

VERSION	CRC-ECM / CRT-ECM
MODEL	IV - IO

MOD.	Dimensions (mm)					MAIN					ADDITIONAL				
	MAIN		ADDITIONAL		C	Valve			Code		Valve			Code	
	A1	A2	B1	B2		DN	(Ø)	Kvs	FITTED	NOT FITTED	DN	(Ø)	Kvs	FITTED	NOT FITTED
1 ÷ 5	152	270	185	330	116	15	1/2"	1,6	9066571H	9066570H	15	1/2"	1,6	9060483H	9060480H
6 - 7	152	268	185	330	124	20	3/4"	2,5	9060484H	9060481H					
9	177	270	210	327	124	20	3/4"	2,5	9060484H	9060481H					

V2
2 way valve
for main and additional coil

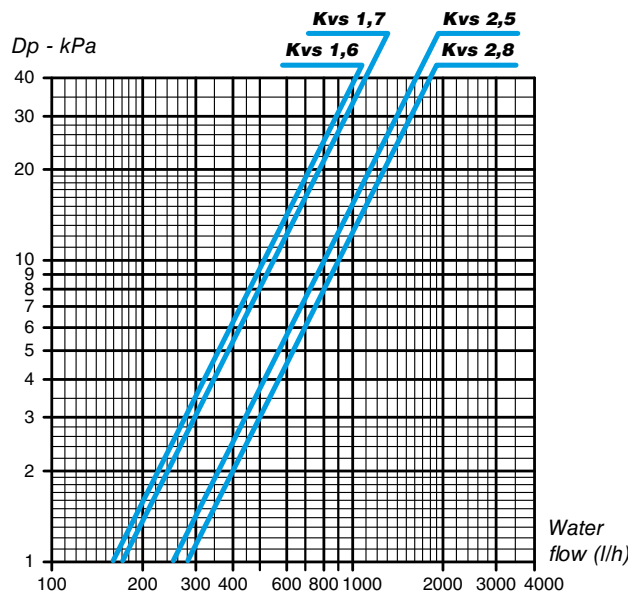
Control valve kit:
2 way valve, ON-OFF,
with electric motor and mounting kit.



Dimensions ± 10 mm

VERSION	CRC-ECM / CRT-ECM
MODEL	MV - MO - MVB - IV - IO

MOD.	Dimensions (mm)					MAIN					ADDITIONAL				
	MAIN		ADDITIONAL		H	Valve			Code		Valve			Code	
	A	C	D	E		DN	(Ø)	Kvs	FITTED	NOT FITTED	DN	(Ø)	Kvs	FITTED	NOT FITTED
1 ÷ 5	149	180	438	186	456	15	1/2"	1,7	9066573H	9066575H	15	1/2"	1,7	9066573H	9066575H
6 - 7	150	181	438	186	456	20	3/4"	2,8	9066574H	9066576H					
9	176	175	422	210	440	20	3/4"	2,8	9066574H	9066576H					



3 way double valve kit for 4 tube installation and single coil

The kit consists of:

- 2 special 3 way valves;
- 2 230 Volt ON-OFF actuators with internal safety micro switch;
- insulated pipe kit;
- external valve insulation sleeve.

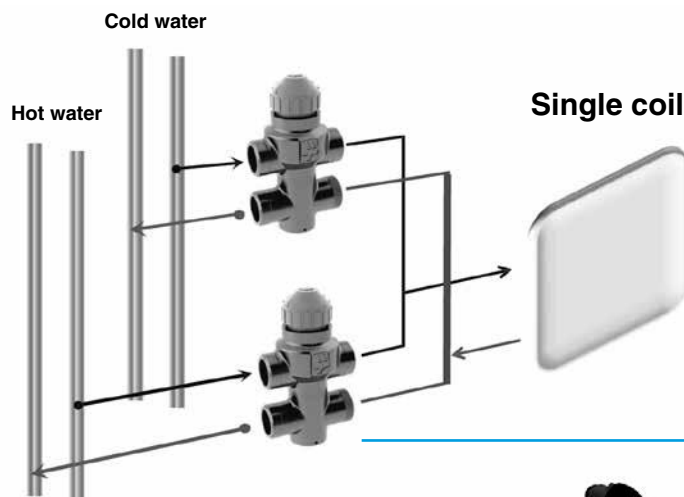
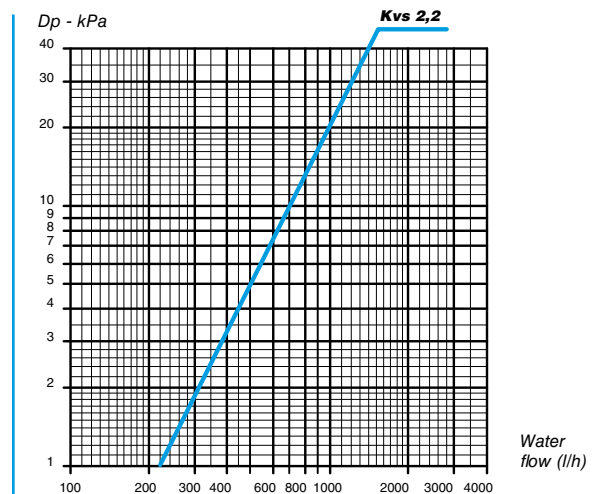
VERSION	CRC-ECM / CRT-ECM
MODEL	MV - MO - MVB - IV - IO

MODEL	Ø	Kvs	FITTED		NOT FITTED	
			CODE	TYPE	CODE	TYPE
CRC/CRT	3/4"	2,2	9066572W	V3M4X2	9066562W	V3S4X2
1 ÷ 9						

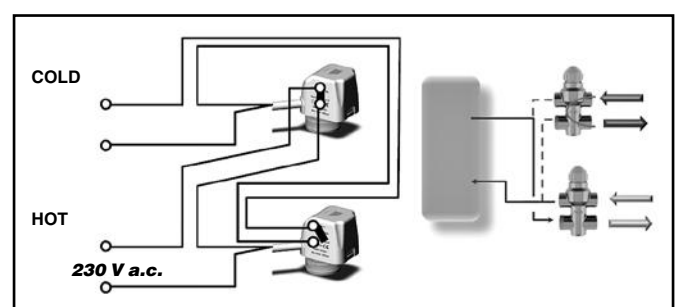
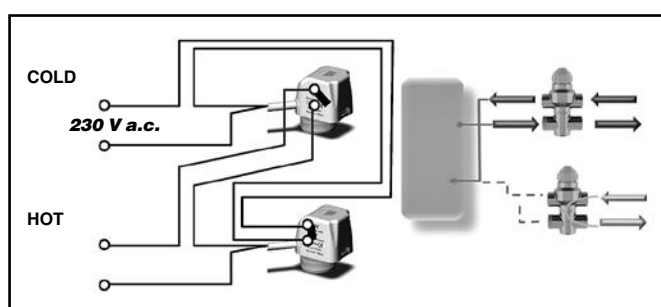
The kit uses a special 3 way valve which allows the transformation of the fan coil, equipped with one single coil, into a 4 tube installation.

The new 4x2 valve has been designed to keep the water flow between flow and return perfectly separated, allowing its use in parallel.

Therefore, it can be used on 4 pipe fan coil systems with one single heat-exchange coil on board the fan coil.



Double actuator electrical connections



Balancing valves independent from the system pressure

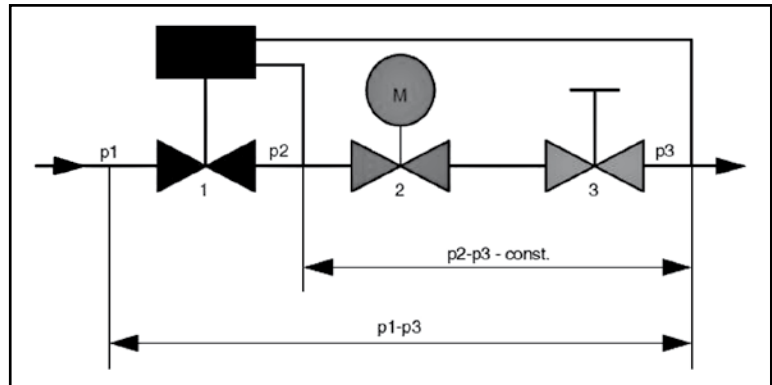
- The balancing valve and a combined 2 way valve allow the regulation of the water flow value autonomously, regardless of the system pressure, and the control of the flow by using an ON/OFF electro-thermal actuator.
- The balancing valve allows you to balance the hydraulic system by supplying the required water flow, for each fan- coil, and to maintain it even under partial load conditions.
- A graduated ring nut placed under the valve allows you to set the flow rate value and also allows direct reading of the set value.



Valve operation logic

- “p1” is the valve inlet pressure.
- “p3” is the outlet pressure.
- “p2” is the diaphragm activation pressure, which allows differential pressure “p2” – “p3” to be maintained at a constant value, in order to guarantee the water to flow at the set value.

The minimum differential pressure “p1” – “p3”, required to guarantee the correct value of the set water flow rate, is indicated in the diagrams on page 66. This is an essential factor to size the system pressure drop and pump pressure head. The flow rate is kept at a constant value only if the valve pressure drop is higher than the indicated value.



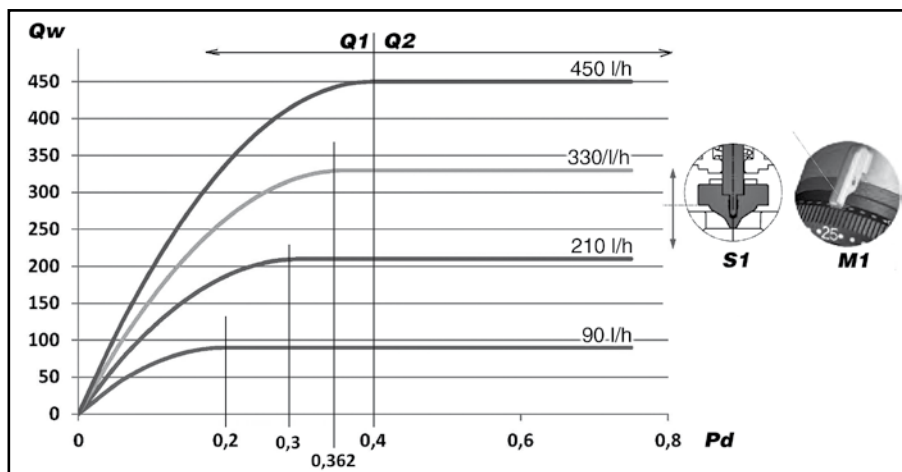
Minimum operating differential pressure

The minimum differential pressure and the balancing valve pressure drop must be considered to size the system pumps.

Flow rate is constant if the pressure drop is higher than that indicated in the diagrams on page 66.

The following diagram shows an example of the flow rate trend according to the pressure drop and calibration required.

Example DN 10 Model

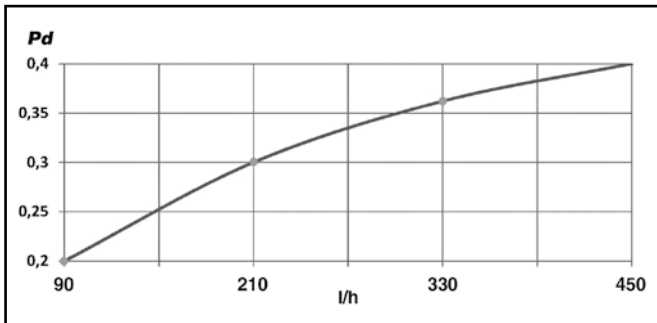


LEGEND:

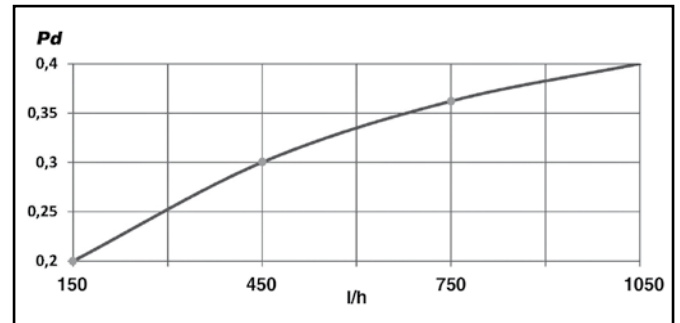
- Qw** = Water flow rate
- Pd** = Min. differential pressure “p1” – “p3” (bar)
- Q1** = Area with inconstant water flow
- Q2** = Area with constant water flow
- S1** = Position of the adjustment valve plunger
- M1** = Position of the knob

The valve upstream-downstream minimum differential pressure (“p1” – “p3”), which depends on the valve calibration value, must be exceeded to access the constant flow rate field.

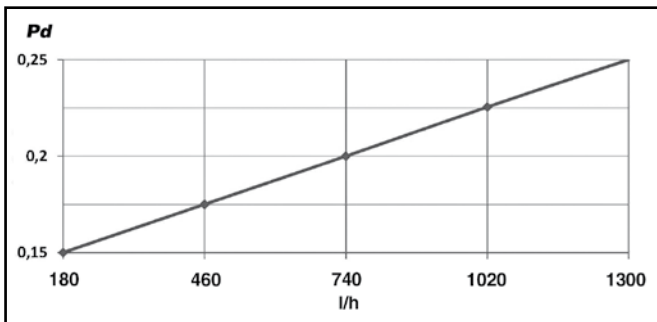
DN 10 Model



DN 15 Model



DN 20 Model



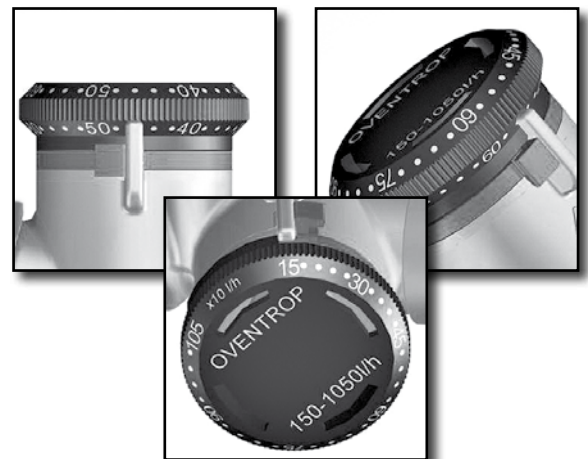
LEGEND:

Pd = Min. differential pressure “p1” – “p3” (bar)

E.g., when sizing the system pump, in which the **DN 10** valves will be installed and in which 210 l/h are constantly required for each device, consider a useful pressure of 0.3 bar (to compensate the pressure drop of the valve) for each balancing valve. Therefore, the pressure drop values produced by the system balancing valves must be summed and the pump must be sized to produce a pressure equal to or greater than the value obtained previously.

Benefits

- Reduced dimensions.
- Easy installation on 2 or 4 pipe devices.
- Pre-regulation of the nominal value set even with installed actuator.
- Easy display of the nominal value set. Nominal values are indicated in 10 l/h without any conversion.
- Guarantee of constant flow rate set even with partial loads.
- Pre-regulation can be blocked and leaded with the locking ring.



Technical features

DN MODEL	FLOW RATE RANGE (l/h)	Kvs
DN 10	90 – 450	1,1
DN 15	150 – 1050	1,8
DN 20	180 – 1300	2,5

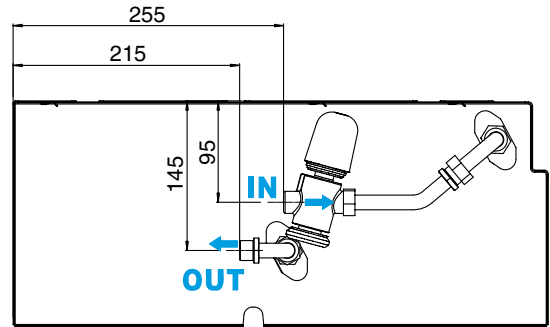
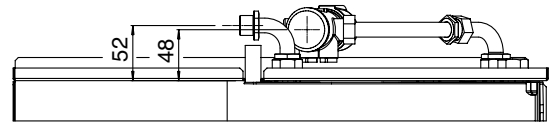
Operation limits of the balancing valves

- Maximum operating temperature 120°C
- Maximum operating pressure 16 bar
- Maximum % of water/glycol mixture 50%
- Minimum operating temperature -10°C
- Maximum differential pressure 4 bar



Balancing valves for main coil

2 way valve for main coil and assembly kit.
The valve is supplied equipped with
230 Volt electro-thermal actuator for the ON/OFF control.

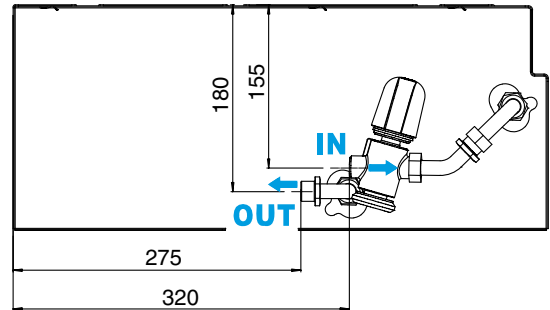
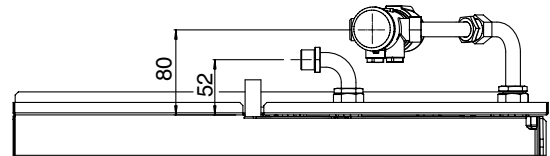


VERSION	CRC-ECM / CRT-ECM
MODEL	MV - MO - MVB - IV - IO

MODEL	VALVE			FITTED		NOT FITTED	
	CRC/CRT	DN	Ø	Range	CODE	TYPE	CODE
1 ÷ 3	10	1/2"	90 - 450	9066660	V2OVBP 90-450	9066650	V2OVBP 90-450
4 ÷ 7	15	3/4"	150 - 1050	9066661	V2OVBP 150-1050	9066651	V2OVBP 150-1050
8 - 9	20	1"	180 - 1300	9066662	V2OVBP 180-1300	9066652	V2OVBP 180-1300

Balancing valves for additional coil

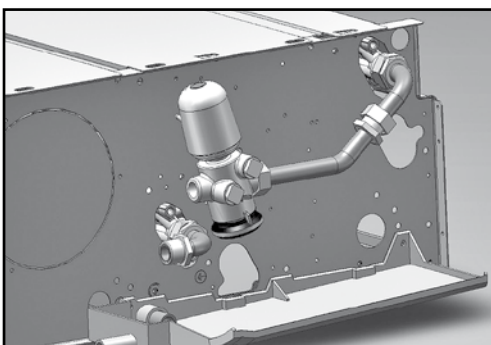
2 way valve for additional coil and assembly kit.
The valve is supplied equipped with
230 Volt electro-thermal actuator for the ON/OFF control.



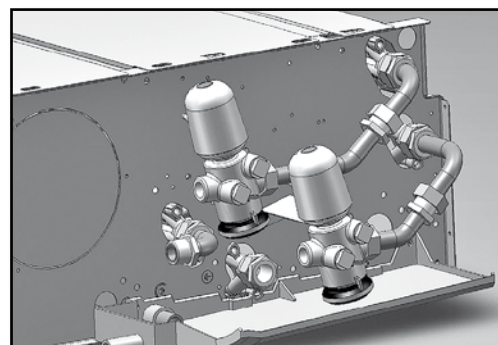
VERSION	CRC-ECM / CRT-ECM
MODEL	MV - MO - MVB - IV - IO

MODEL	VALVE			FITTED		NOT FITTED	
	CRC/CRT	DN	Ø	Range	CODE	TYPE	CODE
1 ÷ 5	10	1/2"	90 - 450	9066663	V2OVBA 90-450	9066653	V2OVBA 90-450
6 ÷ 9	15	3/4"	150 - 1050	9066664	V2OVBA 150-1050	9066654	V2OVBA 150-1050

2-pipe units



4-pipe units



BREEZE frame kit for wall concealed installation

The Carisma Breeze frame kit is available in 3 sizes and allows the installation of recessed Carisma CRC-ECM fan coils. The kit includes a top closing panel that prevents the access to technical spaces and coil ensuring the safety of the end user.



Recessed box kit



Aesthetic frame kit



The **Aesthetic frame kit** and the **Recessed box kit** have different codes as they are separately delivered with their own packaging and they must be assembled together.

These items are only suitable for CRC-ECM models, IV version, 2-6 sizes.

When the Fan Coil is equipped with the Recessed box kit, it must be connected to a remote control and it is not possible to use the built-in electronic controls.

With the Breeze frame kit the simplified valve kits can not be installed.

Technical characteristics of the main components:

The aesthetic frame includes:

- the closing frame;
- air supply louvre;
- front panel;
- air intake grid.

Perimeter frame, front panel and intake grid are made of steel painted with epoxy polyester coat, dried in a furnace at 180°, colour RAL 9003. It is possible to repaint the entire frame of the same color as the wall.



The air supply louvre is made of extruded aluminum with satin finish.



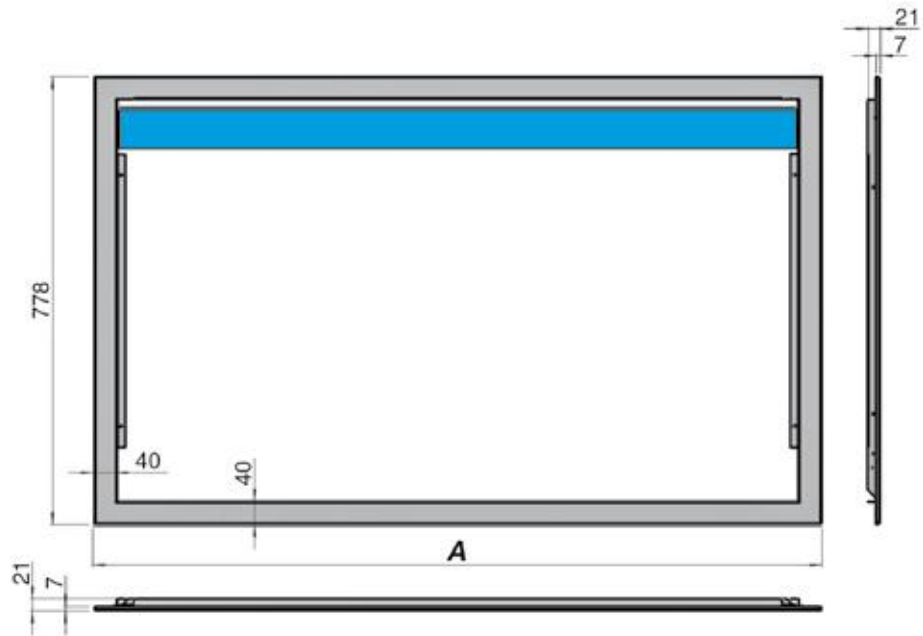
The Grid is fixed to the frame by using a simple and fast connecting system and it can be easily removed to clean the filter and the inner casing.



The recessed box is made of galvanized steel with opening for the electrical and hydraulic connections. To fit in the Fan Coil easily, there are 4 grub screws.



Aesthetic frame dimensions



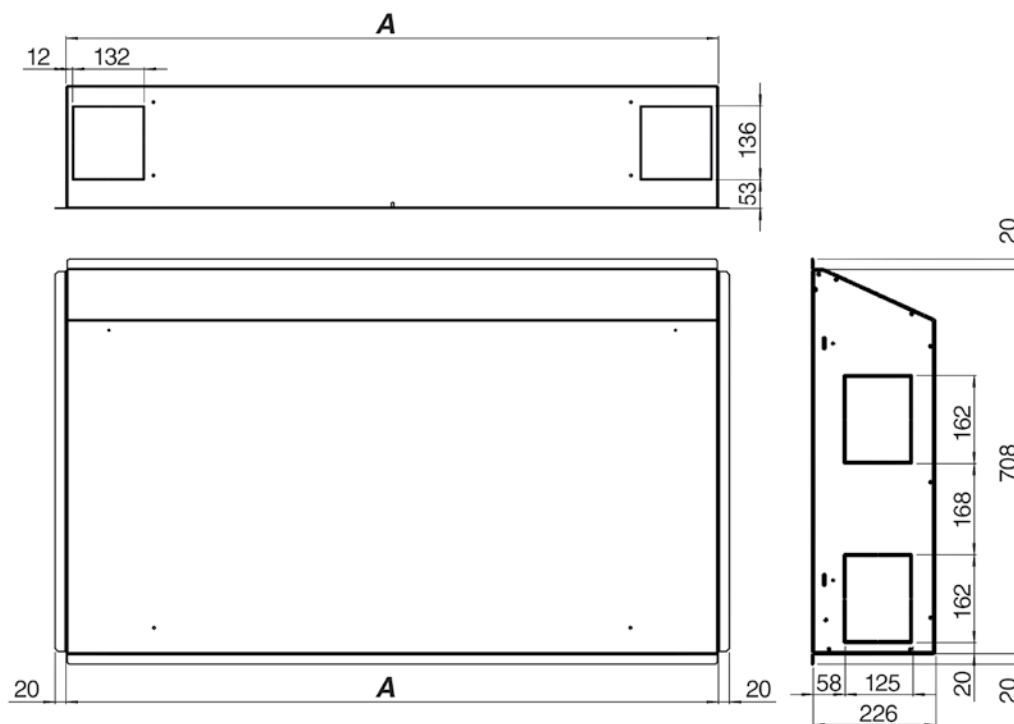
VERSION	CRC-ECM
MODEL	IV

SIZE	TYPE	A	CODE
2	CBR A	837	9076452
4	CBR B	1052	9076453
6	CBR C	1267	9076455

PACKAGED AESTHETIC FRAME WEIGHT
10,5
12,5
14,5



Recessed box dimensions



VERSION	CRC-ECM
MODEL	IV

SIZE	TYPE	A	CODE
2	IBR 2	771	9076462
4	IBR 3-4	986	9076463
6	IBR 5-6	1201	9076465

PACKAGED RECESSED BOX WEIGHT
13
16
18

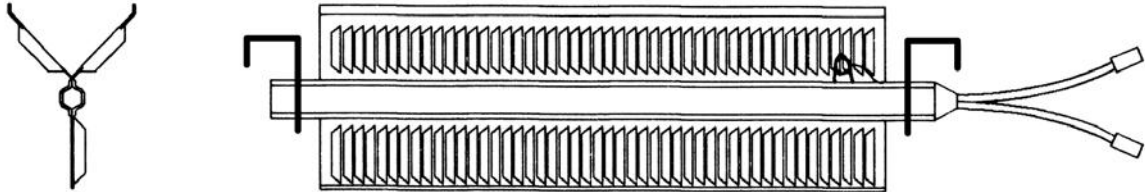


BEL electric heater

(not available with Crystall)

1 PHASE 230V

Electric heater with integral: safety thermostat and relay control.



VERSION	CRC-ECM / CRT-ECM
MODEL	MV - MO - MVB

SIZE		WATT	CODE
CRC	CRT		
-	1	650	9066491
2	2	1000	9066492
		600	9066482
4	3	400	9066472
		1500	9066493
		900	9066483
6	5	600	9066473
		2000	9066495
		1250	9066485
7 - 9	7	750	9066475
		2500	9066497
		1500	9066487
		1000	9066477

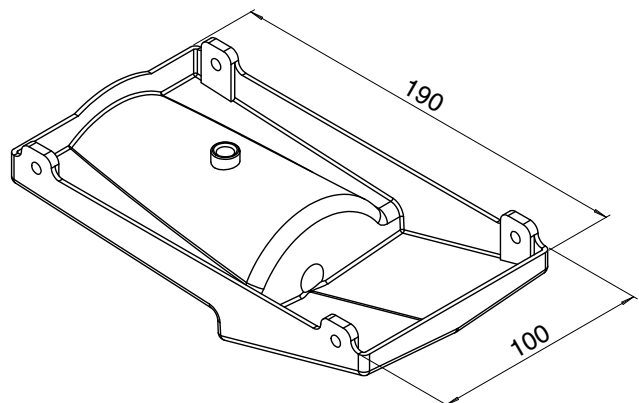
VERSION	CRC-ECM / CRT-ECM
MODEL	IV - IO

SIZE		WATT	CODE
CRC	CRT		
-	1	650	9066611
2	2	1000	9066612
		600	9066602
4	3	400	9066592
		1500	9066613
		900	9066603
6	5	600	9066593
		2000	9066615
		1250	9066605
7 - 9	7	750	9066595
		2500	9066617
		1500	9066607
		1000	9066597

NOTE: the electric heater must be fitted on the fan coil unit on site and can not be added later.

BSV-C extension condensate collection tray to cover valve assembly

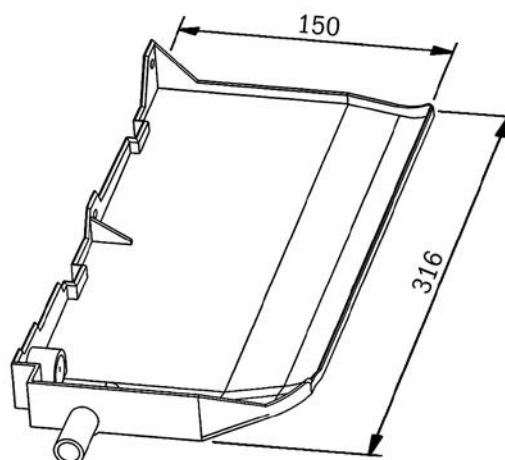
(for vertical units)



VERSION	CRC-ECM / CRT-ECM
MODEL	MV - MVB - IV (vertical)
CODE	6060400

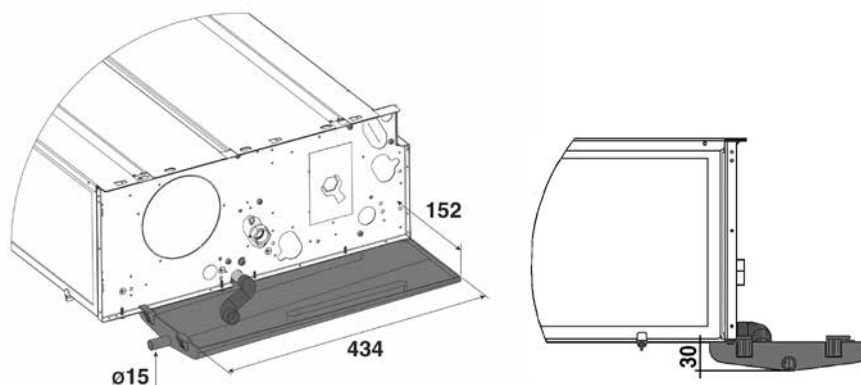
BSO-C extension condensate collection tray to cover valve assembly
(for horizontal units)

VERSION	CRC-ECM / CRT-ECM	
MODEL	MO (horizontal)	
CONNECTION SIDE	LEFT	RIGHT
TYPE	BSO-C-SX	BSO-C-DX
CODE	6060402	6060403



BSI-C extension condensate collection tray to cover valve assembly
(for horizontal units)

VERSION	CRC-ECM / CRT-ECM
MODEL	IO (horizontal)
CODE	6066039



Not to be used with **KAF**.

DRPV-C fitted condensate pump
(for vertical units)

VERSION	CRC-ECM / CRT-ECM	
MODEL	MV - MVB - IV (vertical)	
	FITTED	NOT FITTED
TYPE	DRPV-C-M	DRPV-C-S
CODE	9066297	9066296



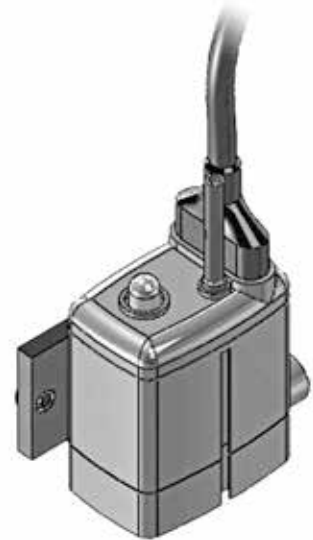
HEIGHT FOR VERTICAL FLOW (m)	WATER FLOW (l/h) DEPENDING ON THE LENGTH OF HORIZONTAL FLOW	
	5 m	10 m
1	7,6	7,2
2	5,6	5,2
3	4,0	3,7
4	3,2	2,9

DRPO-C condensate pump (for horizontal units)

VERSION	CRC-ECM / CRT-ECM
MODEL	MO (horizontal)
CODE	9066295

	FITTED	NOT FITTED
TYPE	DRPO-C-M	DRPO-C-S
CODE	9066295	9066294

HEIGHT FOR VERTICAL FLOW (m)	WATER FLOW (l/h) DEPENDING ON THE LENGTH OF HORIZONTAL FLOW	
	5 m	10 m
1	7,6	7,2
2	5,6	5,2
3	4,0	3,7
4	3,2	2,9



DRPI-C condensate pump (for horizontal units)

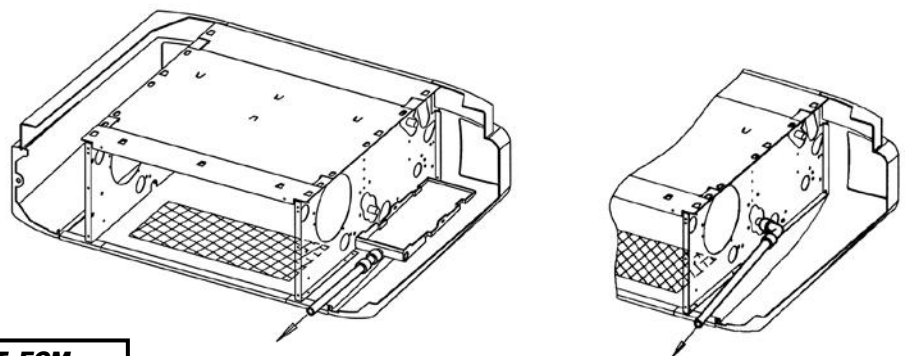
VERSION	CRC-ECM / CRT-ECM
MODEL	IO (horizontal)

	FITTED	NOT FITTED
TYPE	DRPI-C-M	DRPI-C-S
CODE	9066298	9066180

HEIGHT FOR VERTICAL FLOW (m)	WATER FLOW (l/h) DEPENDING ON THE LENGTH OF HORIZONTAL FLOW	
	5 m	10 m
1	7,6	7,2
2	5,6	5,2
3	4,0	3,7
4	3,2	2,9



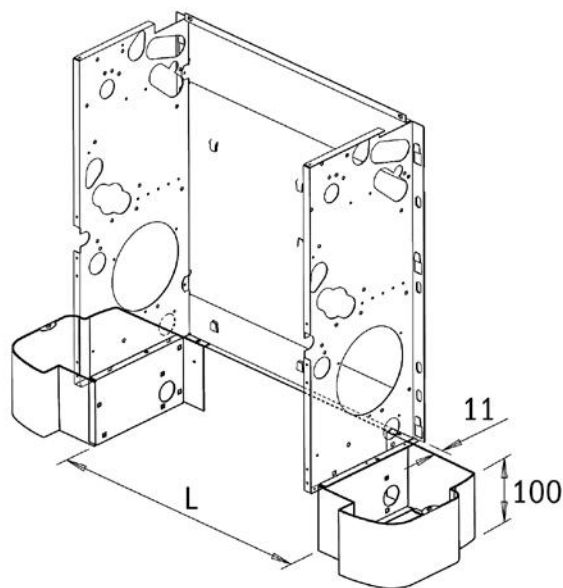
SCR plastic condensate drain pipe with fast connection (allows correct condensate drain)



VERSION	CRC-ECM / CRT-ECM
MODEL	MO - IO
CODE	6060420

PAP feet

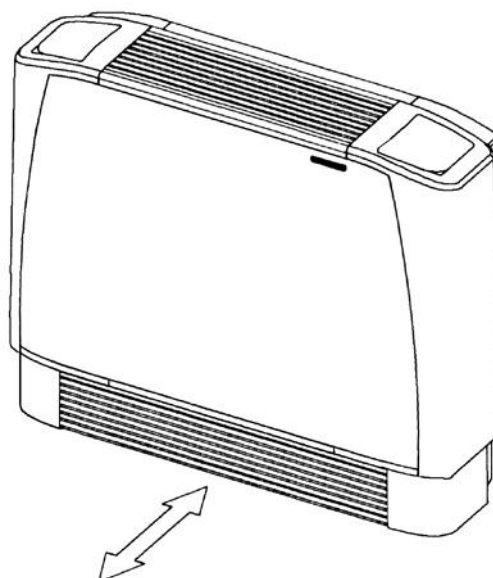
VERSION	CRC-ECM / CRT-ECM	
MODEL	MV	
SIZE	L	CODIE
1	330	9066351
2	430	9066351
3 - 4	645	9066351
5 - 6	860	9066351
7	1119	9066351
9	1119	9066358



GAP

Aluminium low intake grid
(to be installed with PAP feet)

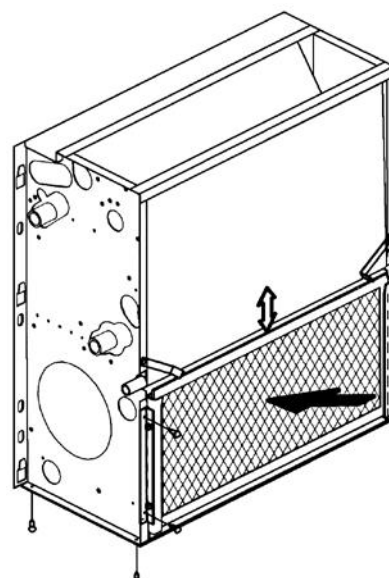
VERSION	CRC-ECM / CRT-ECM	
MODEL	MV	
SIZE	CODE	
1	9066541	
2	9066542	
3 - 4	9066543	
5 - 6	9066545	
7 - 9	9066547	



KAF frontal intake kit

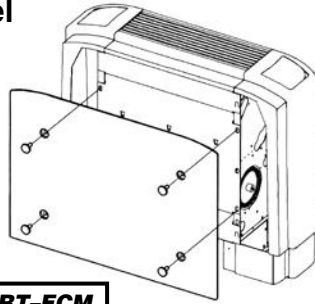
Bottom closing panel and filter sliding guides.

VERSION	CRC-ECM / CRT-ECM	
MODEL	IV - IO	
SIZE	CODE	
1	9066501	
2	9066502	
3 - 4	9066503	
5 - 6	9066505	
7	9066507	
9	9066508	



Not to be used with BSI-C.

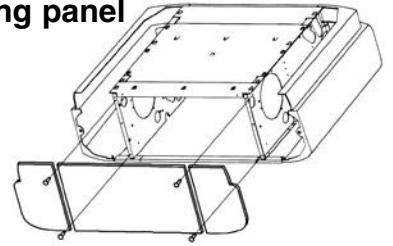
PCV rear closing panel
(for vertical units)



VERSION	CRC-ECM / CRT-ECM
MODEL	MV - MVB

SIZE	CODE
1	9066511
2	9066512
3 - 4	9066513
5 - 6	9066515
7 - 9	9066517

PCO bottom closing panel
(for horizontal units)



VERSION	CRC-ECM / CRT-ECM
MODEL	MO

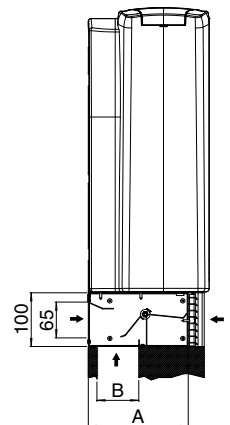
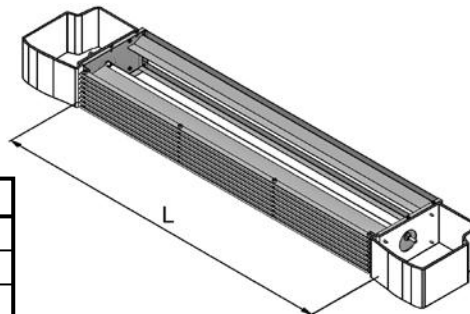
SIZE	CODE
1	9066521
2	9066522
3 - 4	9066523
5 - 6	9066525
7	9066527
9	9066528

SAEM fresh air mixing damper
(factory mounted with feet and intake grid included, MV only)

(can not be motorized)

VERSION	CRC-ECM / CRT-ECM
MODEL	MV

SIZE	A	B	L	CODE
1	186	78	354	9066621
2	186	78	454	9066622
3 - 4	186	78	669	9066623
5 - 6	186	78	884	9066625
7	186	78	1099	9066627
9	216	108	1099	9066628

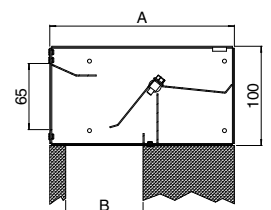
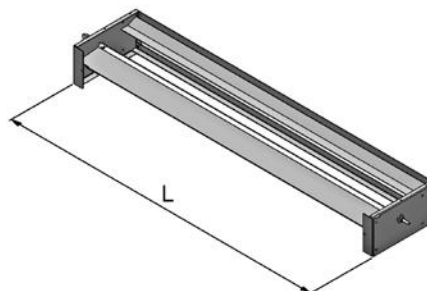


SAE fresh air mixing damper
(not mounted, IV - IO only)

(can not be motorized)

VERSION	CRC-ECM / CRT-ECM
MODEL	IV - IO

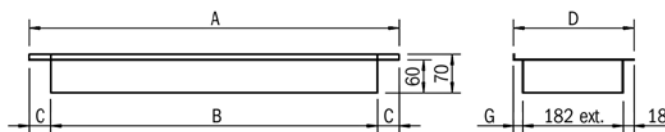
SIZE	A	B	L	CODE
1	186	78	354	9066531
2	186	78	454	9066532
3 - 4	186	78	669	9066533
5 - 6	186	78	884	9066535
7	186	78	1099	9066537
9	216	108	1099	9066538



FRD straight inlet flange

Can be used together with GRAG air inlet grid.
Made of galvanized steel.

VERSION	CRC-ECM / CRT-ECM
MODEL	IV - IO

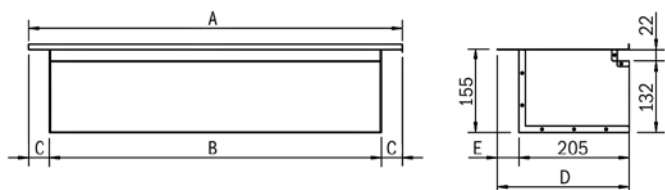


SIZE							
CRC/CRT	TYPE	A	B	C	D	G	CODE
1	FRD - 1	354	290	32	216	16	9066451
2	FRD - 2	454	390	32	216	16	9060720
3 - 4	FRD - 3/4	669	590	39,5	216	16	9060721
5 - 6	FRD - 5/6	884	790	47	216	16	9060722
-	FRD - 4S	884	790	47	246	46	9038002
7	FRD - 7	1099	990	54,5	216	16	9060723
9	FRD - 8/9	1099	990	54,5	246	46	9060724

FR 90 90° inlet flange

Can be used together with GRAP air inlet grid.
Made of galvanized steel.

VERSION	CRC-ECM
MODEL	IV - IO

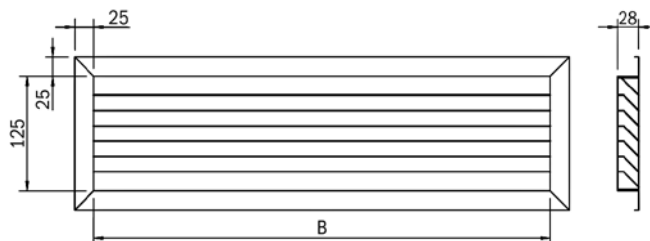


SIZE							
CRC	TYPE	A	B	C	D	E	CODE
2	FR90 - 2	454	390	32	216	11	9060710
4	FR90 - 3/4	669	590	39,5	216	11	9060711
6	FR90 - 5/6	884	790	47	216	11	9060712
-	FR90 - 4S	884	790	47	246	41	9038001
7	FR90 - 7	1099	990	54,5	216	11	9060713
9	FR90 - 8/9	1099	990	54,5	246	41	9060714

GRAP air inlet grid

To be used with FR 90 90° inlet flange.
Made of anodized aluminium.

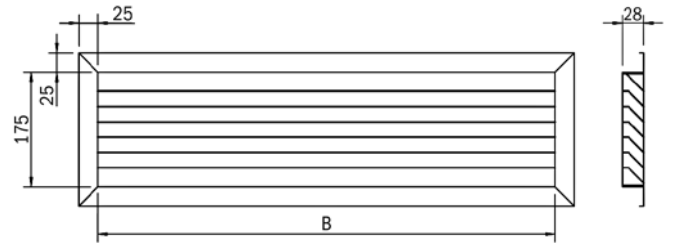
VERSION	CRC-ECM
MODEL	IV - IO



SIZE				
CRC	TYPE	DESCRIPTION	B	CODE
2	GRAP - 2	Grid 400x150	375	9060760
4	GRAP - 3/4	Grid 600x150	575	9060761
6	GRAP - 5/6	Grid 800x150	775	9060762
7 - 9	GRAP - 7/9	Grid 1000x150	975	9060763

GRAG air inlet grid

To be used with FRD straight inlet flange.
Made of anodized aluminium.

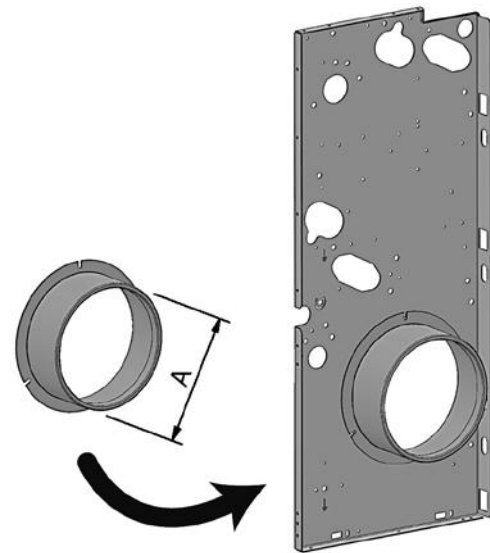


VERSION	CRC-ECM / CRT-ECM
MODEL	IV - IO

SIZE					
CRC/CRT	TYPE	DESCRIPTION	B	CODE	
1	GRAG - 1	Grid 300x200	275	9066431	
2	GRAG - 2	Grid 400x200	375	9060764	
3 - 4	GRAG - 3/4	Grid 600x200	575	9060765	
5 - 6	GRAG - 5/6	Grid 800x200	775	9060766	
7 - 9	GRAG - 7/9	Grid 1000x200	975	9060767	

FRC fresh air connection

(not mounted)

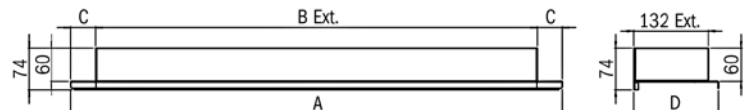


VERSION	CRC-ECM
MODEL	IV - IO

SIZE	TYPE	A	CODE
1 ÷ 7	FRC 100	98	6064191
1 ÷ 7	FRC 120	122	6064192

FMD straight outlet flange

Made of galvanized steel.



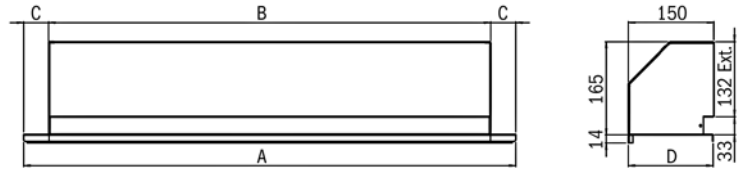
VERSION	CRC-ECM / CRT-ECM
MODEL	IV - IO

SIZE							
CRC/CRT	TYPE	A	B	C	D	CODE	
1	FMD - 1	352	290	31	152	9066371	
2	FMD - 2	452	390	31	152	9066372	
3 - 4	FMD - 3/4	667	590	38,5	152	9066373	
5 - 6	FMD - 5/6	882	790	46	152	9066375	
-	FMD - 4S	882	790	46	179	9069232	
7	FMD - 7	1097	990	53,5	152	9066377	
9	FMD - 8/9	1097	990	53,5	179	9066378	



FM 90 90° outlet flange

Made of galvanized steel insulated with polyethylene lining.

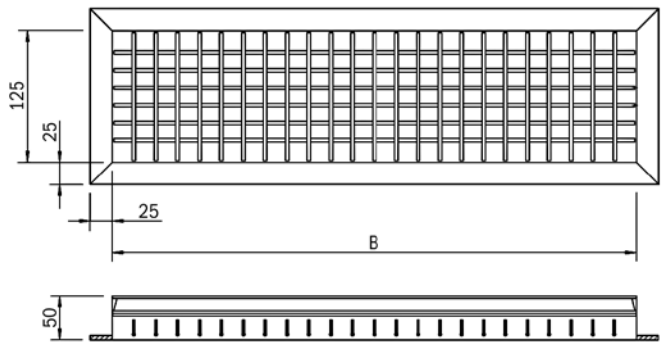


VERSION	CRC-ECM
MODEL	IV - IO

SIZE							
CRC	TYPE	A	B	C	D	CODE	
2	FM90 - 2	452	390	31	152	9066382	
4	FM90 - 3/4	667	590	38,5	152	9066383	
6	FM90 - 5/6	882	790	46	152	9066385	
-	FM90 - 4S	882	790	46	179	9060242	
7	FM90 - 7	1097	990	53,5	152	9066387	
9	FM90 - 8/9	1097	990	53,5	179	9066388	

BMA air outlet grid

Double louvre grid to be fitted to the duct, to the FMD straight outlet flange or to the FM 90 90° outlet flange. Made of anodized aluminium.

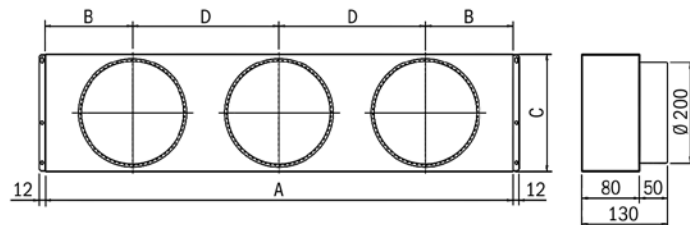


VERSION	CRC-ECM / CRT-ECM
MODEL	IV - IO

SIZE			
CRC/CRT	TYPE	B	CODE
1	BMA - 1	275	9066411
2	BMA - 2	375	9060750
3 - 4	BMA - 3/4	575	9060751
5 - 6	BMA - 5/6	775	9060752
7 - 9	BMA - 7/9	975	9060753

PRC air inlet spigot plenum

Made of galvanized steel insulated with polyethylene lining.



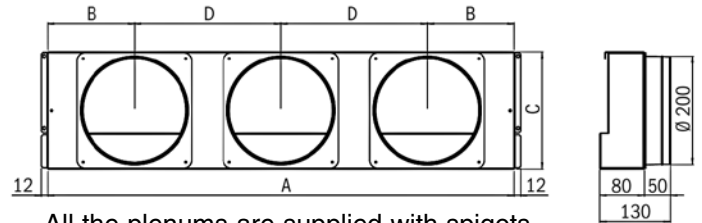
VERSION	CRC-ECM
MODEL	IV - IO

SIZE							
CRC	TYPE	A	B	C	D	SPIGOTS	CODE
2	PRC - 2	430	107	218	216	N° 2	9066462
4	PRC - 3/4	645	166	218	313	N° 2	9066463
6	PRC - 5/6	860	160	218	270	N° 3	9066465
-	PRC - 4S	860	160	248	270	N° 3	9038050
7	PRC - 7	1075	190	218	347,5	N° 3	9066467
9	PRC - 8/9	1075	190	248	347,5	N° 3	9066468

All the plenums are supplied with spigots for the connection of flexible ducts.

PMC spigot diffuser

Made of galvanized steel insulated with polyethylene lining.



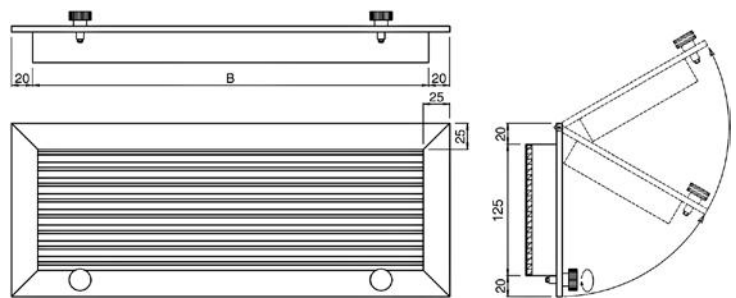
All the plenums are supplied with spigots for the connection of flexible ducts.

VERSION	CRC-ECM
MODEL	IV - IO

SIZE		A	B	C	D	SPIGOTS	CODE
CRC	TYPE						
2	PMC - 2	430	107	218	216	N° 2	9066362
4	PMC - 3/4	645	166	218	313	N° 2	9066363
6	PMC - 5/6	860	160	218	270	N° 3	9066365
-	PMC - 4S	860	160	248	270	N° 3	9069222
7	PMC - 7	1075	190	218	347,5	N° 3	9066367
9	PMC - 8/9	1075	190	248	347,5	N° 3	9066368

GRAFP air inlet grid with filter

To be fitted to the FR 90 90° inlet flange.
Made of anodized aluminium.

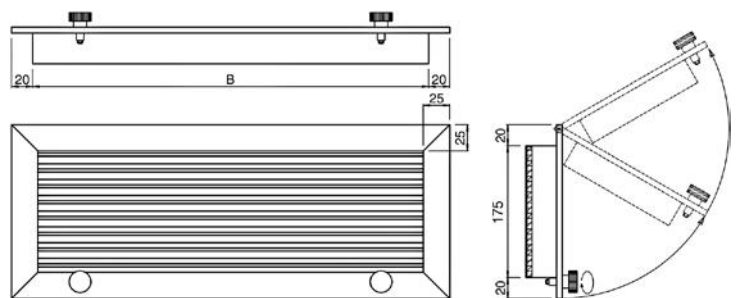


VERSION	CRC-ECM
MODEL	IV - IO

SIZE	TYPE	B	CODE
2	GRAFP - 2	375	9060770
4	GRAFP - 3/4	575	9060771
6	GRAFP - 5/6	775	9060772
7 - 9	GRAFP - 7/9	975	9060773

GRAFG air inlet grid with filter

To be fitted to the FRD straight inlet flange.
Made of anodized aluminium.



VERSION	CRC-ECM
MODEL	IV - IO

SIZE	TYPE	B	CODE
2	GRAFG - 2	375	9060774
4	GRAFG - 3/4	575	9060775
6	GRAFG - 5/6	775	9060776
7 - 9	GRAFG - 7/9	975	9060777

CHK Hotel fan kit

Hotel box for concealed installation for Carisma CRC-ECM, IO model (frontal return and supply).

The new CHK kit is the best solution for all installations requiring a built-in fan coil where there is no other possibility of accessing the unit except from the air outlet side. The unit is particularly suitable for installation in hotel rooms, offices and homes.

The Kit consists of a box that can easily be installed in a false ceiling, inside which the fan coil is fitted using the special guides. For simply remove the front outlet and access the air filter as well as the electrical and hydraulic parts of the unit.

The air grid is divided into two zones, one for the air intake with horizontally adjustable fins and the other one for the air outlet with horizontally and vertically adjustable fins to ensure better air distribution and diffusion in the room.

The box structure is made of thick galvanised metal sheet. The internal air flow sections are insulated with expanded polyethylene that prevents both condensation and energy loss towards the inside of the false ceiling. The accessory includes the air filter, an anodised aluminium outlet with adjustable fins and a front wall frame.

The box structure is designed so that fan coils with hydraulic connections facing left or right can be installed. According to the configuration, it is in fact sufficient to secure the sliding guides on the panel that will be the upper one.

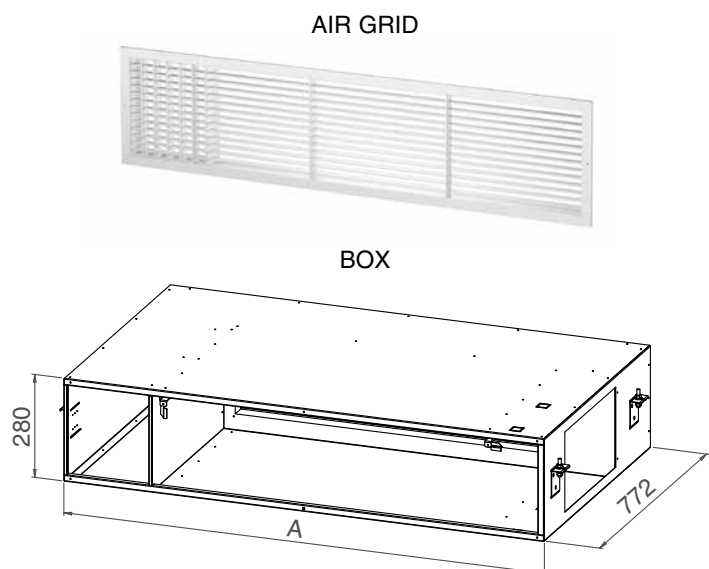


When ordering, it must be specified that the fan coil hydraulic and electrical connections must be on the same side.

Note: consider 20 Pa pressure drop.

VERSION	CRC-ECM
MODEL	IO

SIZE	TYPE	A	CODE
4	CHK 3-4	1060	9066783
6	CHK 5-6	1316	9066785
7	CHK 7	1610	9066787



BXS silencers plenum

Sound attenuator module

Made of galvanised steel metal sheet, lined internally with a reinforced glass wool mat on both sides with a black glass coating; the 50 mm and 30 kg/m³ density lining ensures high noise reduction with very low pressure drops.

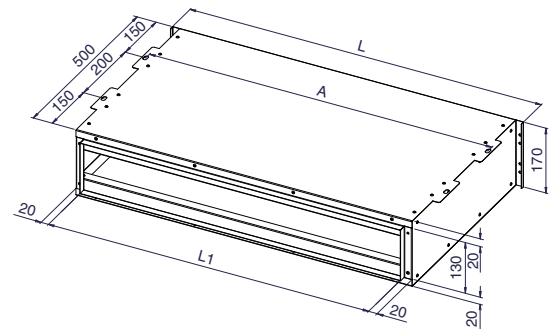
Sound attenuation levels

FREQUENCY	Hz	125	250	500	1000	2000	4000	8000
SOUND ATTENUATION	dB	2.5	5.0	11.5	14.0	13.5	12.0	11.0

Note: the silencer plenum reduces the sound levels only on the supply side; the sound levels on the return side are not affected by the silencer.

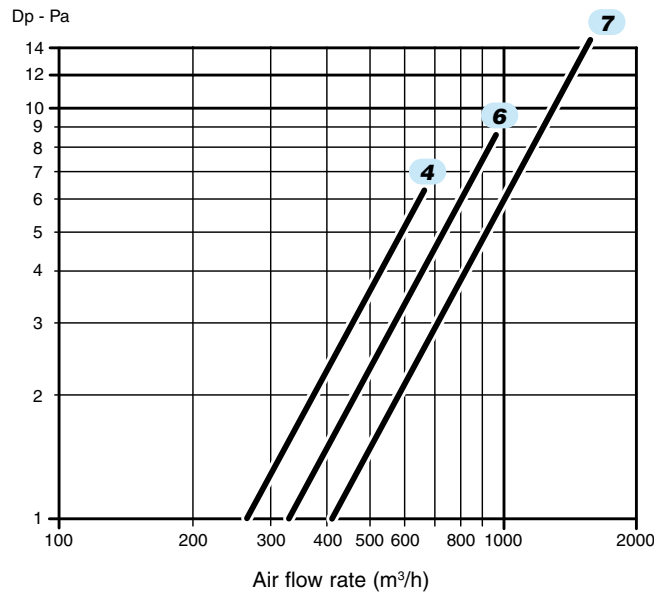
VERSION	CRC-ECM
MODEL	IV - IO

SIZE		L	L1	A	CODE
CRC	TYPE				
4	BXS-A	675	597	653	9069081
6	BXS-B	890	812	868	9069082
7	BXS-C	1105	1027	1083	9069083



Silencer plenum pressure drop

CRC-ECM



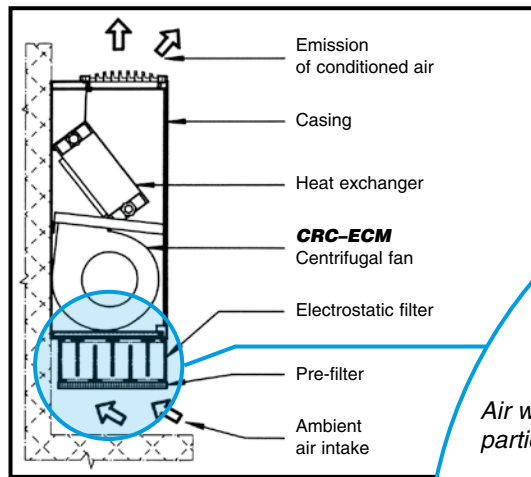
Introduction

The **CRYSTALL SABIANA** electrostatic filter matches the need for better air conditioning with the concepts of space and design.

With this filter the various stages of air treatment are combined in one appliance.

Thanks to this new patented filter (efficiency compliant with new Standard UNI 11254), air pollutants such as cigarette smoke, dust (PM10, PM2.5), pollen and most biological organisms are eliminated.

In addition, as fresh air is not being introduced to obtain the best climatic conditions, there are consequential energy savings.



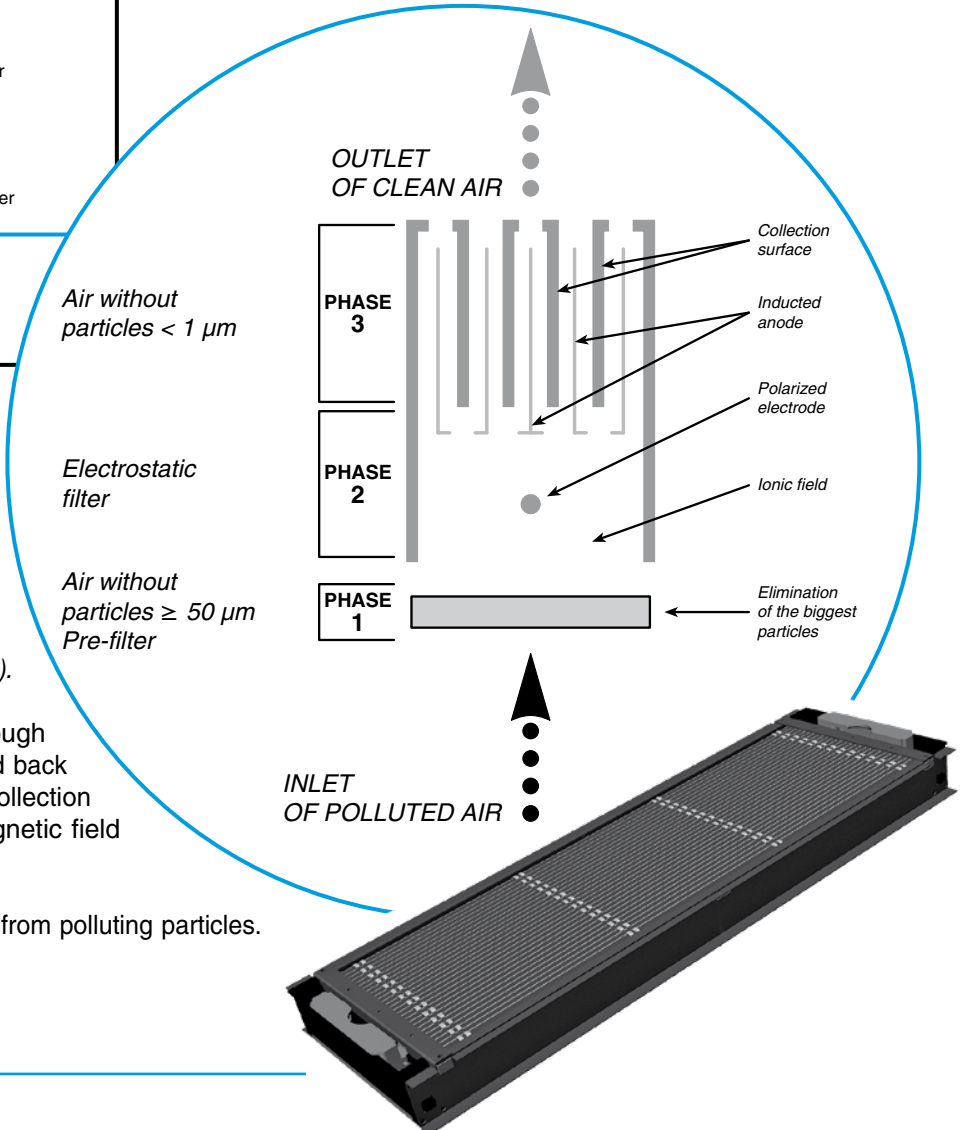
Operating principle of the **CRYSTALL SABIANA** electronic filter

When polluted air goes through the mechanical pre-filter (*Phase 1*) the particles $\geq 50 \mu\text{m}$ are eliminated (powder, insects, etc.).

Then the smallest particles ($50 \div 0.01 \mu\text{m}$) are exposed to an intensive ionic field and are polarized (*Phase 2*).

The charged particles passing through the second filter section, are pushed back by the anode and attracted to the collection surfaces by a strong, induced magnetic field (*Phase 3*).

The air which leaves the unit is free from polluting particles.



For more details see the “Carisma CRC” Catalogue

CRC-ECM / CRT-ECM configuration

For this fan coil configuration, the 1-10 Vdc signal, which controls the inverter, must be supplied by a controller with the following signal specifications:

Fan coil control signal

0 Vdc = Fan OFF

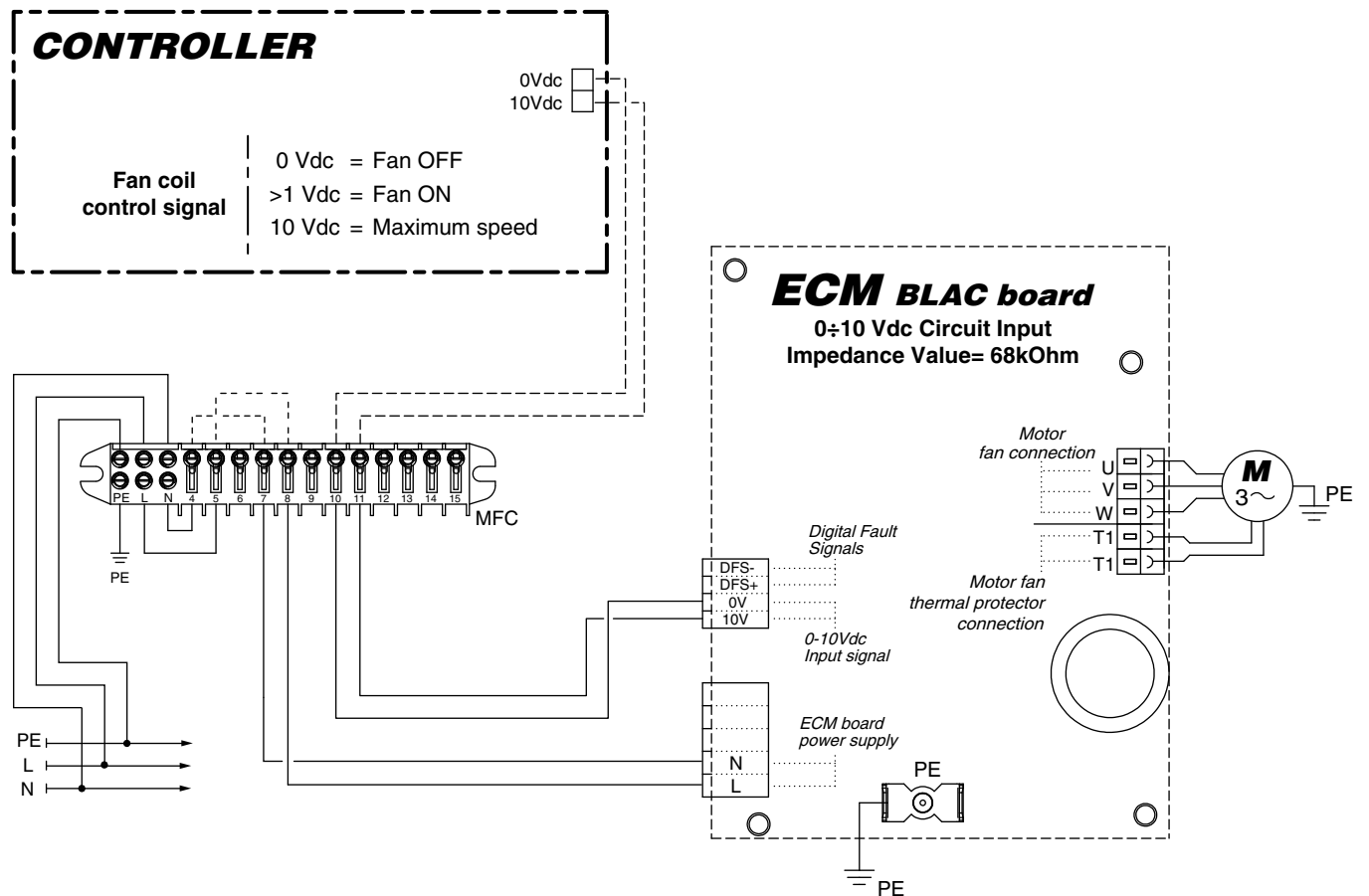
>1 Vdc = Fan ON

10 Vdc = Maximum speed

ECM Blac board

0÷10 Vdc Circuit Input Impedance Value = 68 kOhm

Electric wiring diagram



LEGEND:

BLAC = Inverter circuit board

M = Electronic motor

CONTROLLER = Controller

Electronic control fitted on the unit

All the **Carisma CRC-ECM/CRT-ECM** units can be supplied with a wide range of controls to be fitted that allows managing one single unit.

The room temperature can be controlled through electronic room thermostats, with different solutions according to every ambient conditions.

The controls of the **-ECM** range let the speed control, regulate the room temperature precisely and are suitable when the user wants to set the fan speed. The most evolved **CB-T-ECM** version allows the manual and the automatic speed switch or the continuous variation of the fan speed. For the **Carisma CRC-ECM** units, supplied with Crystal filter or with electric heater, the **CB-T-ECM-IAQ** control is available.



CB-T-ECM



CB-T-ECM-IAQ

(CRC-ECM version only with Crystall filter)

All the controls are described in detail in the “Fan Coil Control Range” literature.

Wall electronic controls

All the **Carisma CRC-ECM / CRT-ECM** units can be supplied with a wide range of electronic wall controls that allows managing one single unit or several units (by using Dip-Switches or the power unit).

The room temperature can be controlled through electronic room thermostats, with different solutions according to every ambient conditions.

The electronic room thermostats **WM-AU**, **T-MB**, **WM-S-ECM** and **WM-503-AC-EC** regulate the room temperature precisely and are suitable when the user wants to set the fan speed.



WM-AU



T-MB



WM-503-AC-EC



WM-S-ECM

All the controls are described in detail in the "Fan Coil Control Range" literature.

All the Carisma **Carisma CRC-ECM** units can be supplied with a wide range of controls, which allows managing one single unit or several units by using the Modbus RTU - RS 485 communication protocol. Units can be managed according to the Master/Slave logic (up to 20 units) or by supervisory components.

The system includes a single **MB** power board and a range of technical devices to be used with:

- the **T-MB** wall control and the **RT03** remote control, to manage single units;
- the **PSM-DI** multifunctional panel, the **Sabianet** supervisory system, the **T-DI** Touch screen multifunction control panel and the **SabWeb** Web gateway for “Sabiana Cloud”, to manage one single unit or several units.

Single unit management



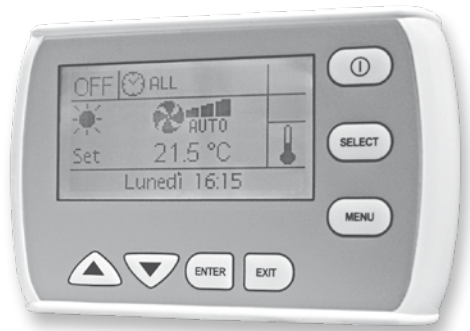
T-MB wall control



RT03 infra-red remote control

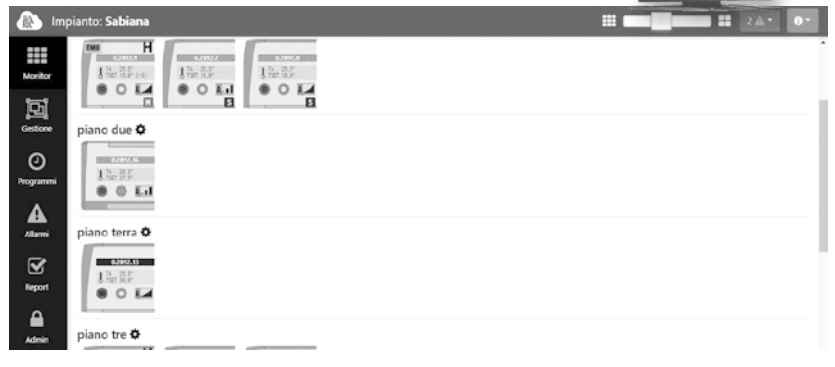
All the controls are described in detail in the “Fan Coil Control Range” literature.

One single unit or several units management



PSM-DI multifunction control panel

PC



Sabianet software



T-DI Touch screen multifunction control panel



Web gateway SabWeb for "Sabiana Cloud"

All the controls are described in detail in the "Fan Coil Control Range" literature.

The KNX bus system is a building automation standard for controlling, managing and monitoring a wide range of products for:

- heating, cooling, ventilation
- lighting
- alarm systems
- audio and video systems
- electricity and gas

Since 2016, Sabiana is a certified member of the KNX association and the certified products can be added to this system in compliance with the tests carried out at KNX laboratories.



KNX devices

The Sabiana **WM-KNX** room thermostat controls and adjusts the temperature of a room or area in a building. In combination with one or several **UP-KNX** power units, the thermostat is able to control the operation of terminal units such as fan coils. The appliance consists of an LCD display with adjustable backlight and a sensor for measuring the room temperature.

WM-KNX is suitable for installation in a recessed wall box.



WM-KNX
recessed thermostat



WM-KNX
with rectangular plate



WM-KNX
with square plate



UP-KNX *power unit*

All the controls are described in detail in the “Fan Coil Control Range” literature.



IQNet, the association of the world's first class certification bodies, is the largest provider of management System Certification in the world. IQNet is composed of more than 30 bodies and counts over 150 subsidiaries all over the globe.

CERTIFICATO n. 0545/7
CERTIFICATE No.

SI CERTIFICA CHE IL SISTEMA DI GESTIONE PER LA QUALITÀ DI
 WE HEREBY CERTIFY THAT THE QUALITY MANAGEMENT SYSTEM OPERATED BY

SABIANA S.p.A.

Sede e Unità Operativa: Via Piave, 53 - 20011 Corbetta (MI)
 Direzione e uffici amministrativi, progettazione, produzione di apparecchiature per il riscaldamento e il condizionamento dell'aria (aerotermi, termostrisce radianti, unità trattamento aria) e canne fumarie.

Unità Operativa: Via Virgilio, 2 - 20013 Magenta (MI)
 Produzione di ventilconvettori, magazzino e logistica

Italia

È CONFORME ALLA NORMA / IS IN COMPLIANCE WITH THE STANDARD

UNI EN ISO 9001:2015

Sistema di Gestione per la Qualità / Quality Management System

PER LE SEGUENTI ATTIVITÀ / FOR THE FOLLOWING ACTIVITIES

EA: 18

Progettazione, produzione e assistenza di apparecchiature per il riscaldamento e il condizionamento dell'aria (aerotermi, termostrisce radianti, ventilconvettori e unità trattamento aria) e canne fumarie.

Design, production and service of heating and air conditioning equipment (unit heaters, radiant panels, fan coil units and air handling units) and chimneys.

Riferirsi alla documentazione del Sistema di Gestione per la Qualità aziendale per l'applicabilità dei requisiti della norma di riferimento.
 Refer to the documentation of the Quality Management System for details of application to reference standard requirements.

Il presente certificato è soggetto al rispetto del documento ICIM "Regolamento per la certificazione dei sistemi di gestione" e al relativo Schema specifico.
 The use and the validity of this certificate shall satisfy the requirements of the ICIM document "Rules for the certification of company management systems" and specific Scheme.

Per informazioni puntuali e aggiornate circa eventuali variazioni intervenute nello stato della certificazione di cui al presente certificato, si prega di contattare il n° telefonico +39 02 725341 o indirizzo e-mail info@icim.it.
 For timely and updated information about any changes in the certification status referred to in this certificate, please contact the number +39 02 725341 or email address info@icim.it.

Data emissione
 First issue
 10/06/1996

Emissione corrente
 Current issue
 10/04/2018

Data di scadenza
 Expiring date
 09/04/2021

ICIM S.p.A.
 Piazza Don Enrico Mapelli, 75 - 20099 Sesto San Giovanni (MI)
 www.icim.it



SQQ N° 004 A PRD N° 004 B
 SGA N° 005 D PRS N° 082 C
 SGE N° 005 N TSP N° 046 E
 SCR N° 006 F ETS N° 003 O
 SSI N° 008 G ENAS N° 001 P

Membre degli Accordi di Mutuo Riconoscimento EA, IAF e ILAC
 Signatory of EA, IAF and ILAC Mutual Recognition Agreements



www.cisq.com

CISQ è la Federazione Italiana di Organismi di Certificazione dei sistemi di gestione aziendale. CISQ is the Italian Federation of management system Certification Bodies.



THE INTERNATIONAL CERTIFICATION NETWORK

CERTIFICATE

CISQ/ICIM SPA has issued an IQNet recognized certificate that the organization:

SABIANA S.p.A.

Head Office and Operative Unit
Via Piave, 53 - I-20011 Corbetta (MI)
Operative Unit

Via Virgilio, 2 - I-20013 Magenta (MI)

has implemented and maintains a

Quality Management System

for the following scope:

Design, production and service of heating and air conditioning equipment (unit heaters, radiant panels, fan coil units and air handling units) and chimneys.

which fulfils the requirements of the following standard:

ISO 9001:2015

Issued on: **2018-04-10**

First issued on: **1996-06-10**

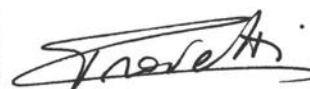
Expires on: **2021-04-09**

This attestation is directly linked to the IQNet Partner's original certificate and shall not be used as a stand-alone document.

Registration Number: **IT-4000**




Alex Stoichitoiu
President of IQNET

Ing. Claudio Provetti
President of CISQ

IQNet Partners*:

AENOR Spain AFNOR Certification France APCER Portugal CCC Cyprus CISQ Italy
CQC China CQM China CQS Czech Republic Cro Cert Croatia DQS Holding GmbH Germany FCAV Brazil
FONDONORMA Venezuela ICONTEC Colombia Inspecta Sertifiointi Oy Finland INTECO Costa Rica
IRAM Argentina JQA Japan KFQ Korea MIRTEC Greece MSZT Hungary Nemko AS Norway NSAI Ireland
NYCE-SIGE México PCBC Poland Quality Austria Austria RR Russia SII Israel SIQ Slovenia
SIRIM QAS International Malaysia SQS Switzerland SRAC Romania TEST St Petersburg Russia TSE Turkey YUQS Serbia
IQNet is represented in the USA by: AFNOR Certification, CISQ, DQS Holding GmbH and NSAI Inc.

* The list of IQNet partners is valid at the time of issue of this certificate. Updated information is available under www.iqnet-certification.com



The descriptions and illustrations provided in this publication are not binding: Sabiana reserves the right, at any time, without the requirement to promptly update this piece of literature, any changes that it considers useful for the purpose of improvement or for any other manufacturing or commercial requirements.



A company of Arbonia Group
ARBONIA ▲

Follow us on



Sabiana app



SABIANA SpA

Società a socio unico

Via Piave 53 - 20011 Corbetta (MI) Italy

T. +39 02 97203 1 r.a. • F. +39 02 9777282

info@sabiana.it

www.sabiana.it